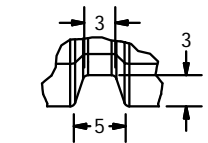
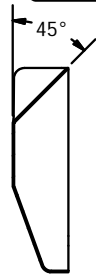


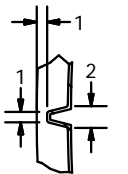
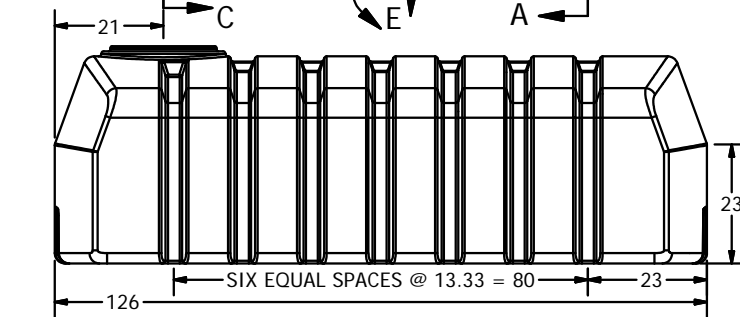
SECTION A-A
SCALE 1:24



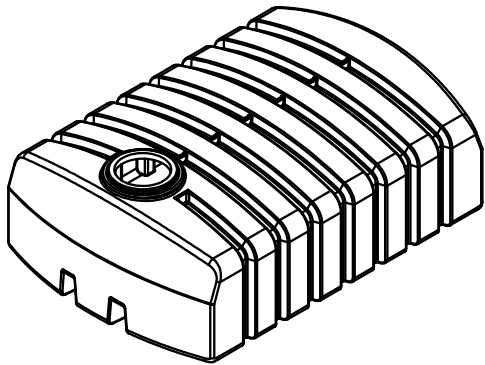
DETAIL E
SCALE 1 / 12




SECTION F-F
SCALE 1:24



DETAIL B
SCALE 1 / 12



FOB ST BONIFACIUS MN AND LANCASTER OH

DRAWN Jerry Paulson	3/20/2009	 NORWESCO, INC., ST. BONIFACIUS, MN
CHECKED		
QA		TITLE
MFG		1600 GALLON LOW PROFILE WATER TANK
APPROVED		SIZE B
		DWG NO
		REV
SCALE: 1/24		SHEET 1 OF 1