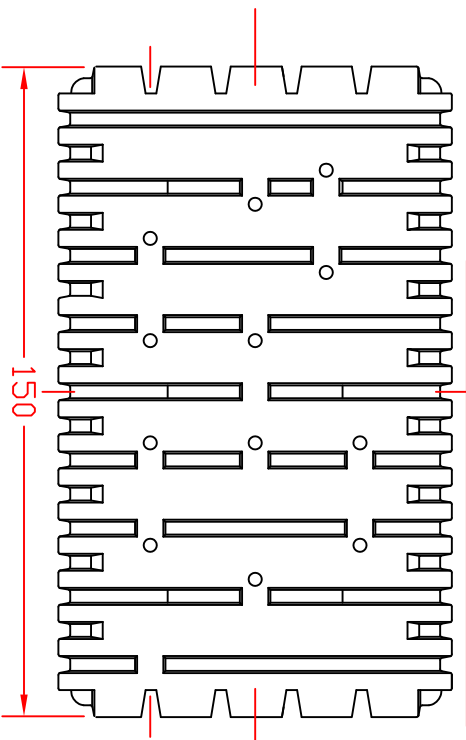
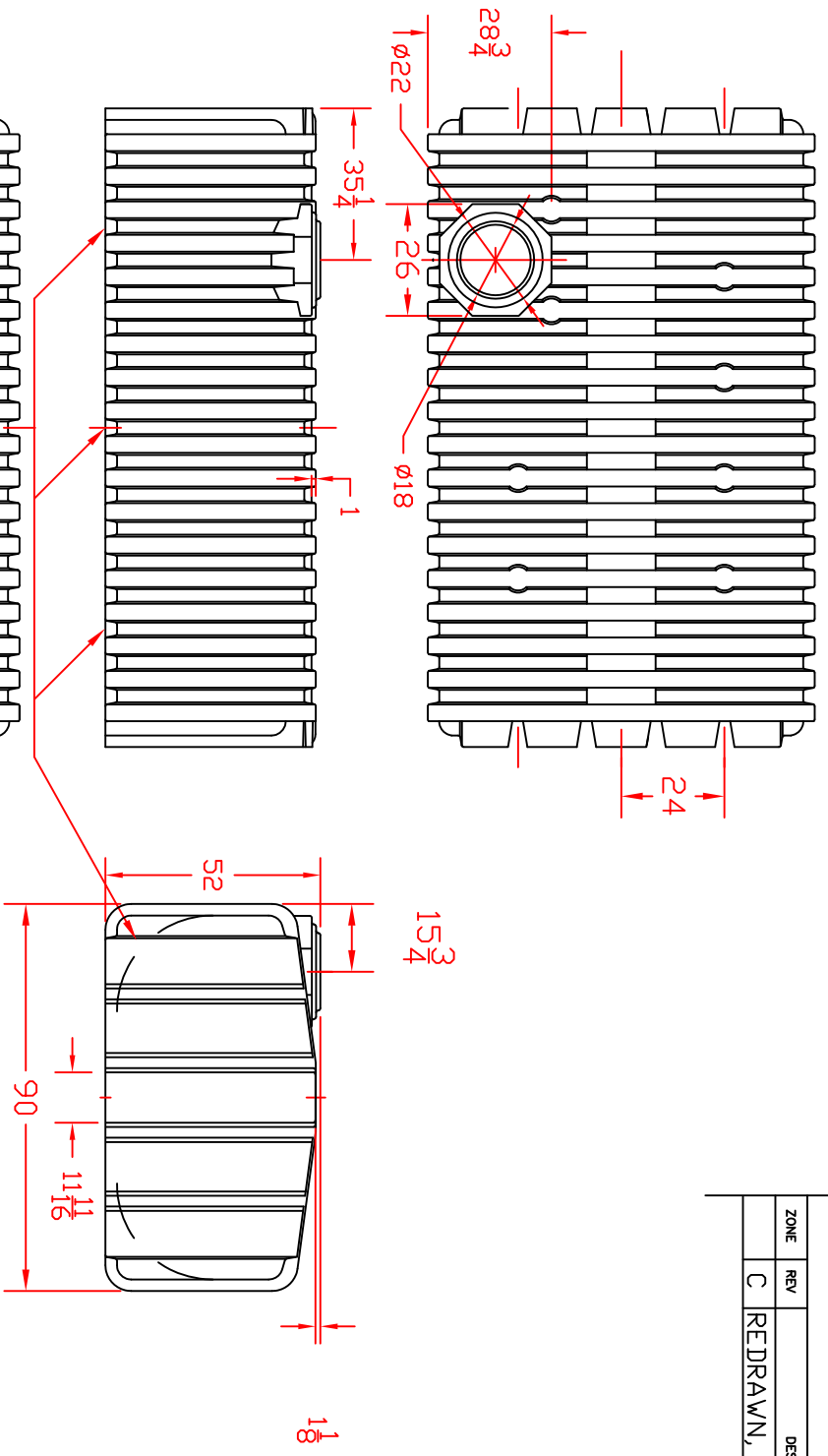


REVISIONS				
ZONE	REV	DESCRIPTION	DATE	APPROVED
C	REDRAWN,	ENDS REV'D	30APR02	



JTP 30APR02		SCALE 1/32		SHEET	
ST. BONIFACIUS, MN		DWG NO.		REV C	
2400 GALLON		DWG NO.		REV C	
HORIZONTAL TANK		DWG NO.		REV C	
NORWESCO		DWG NO.		REV C	