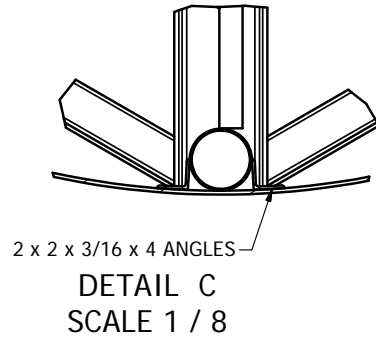
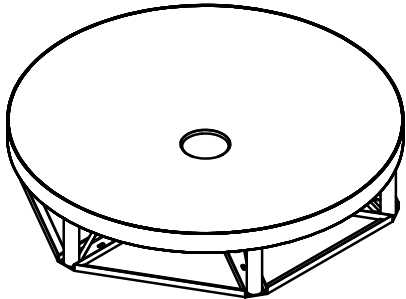
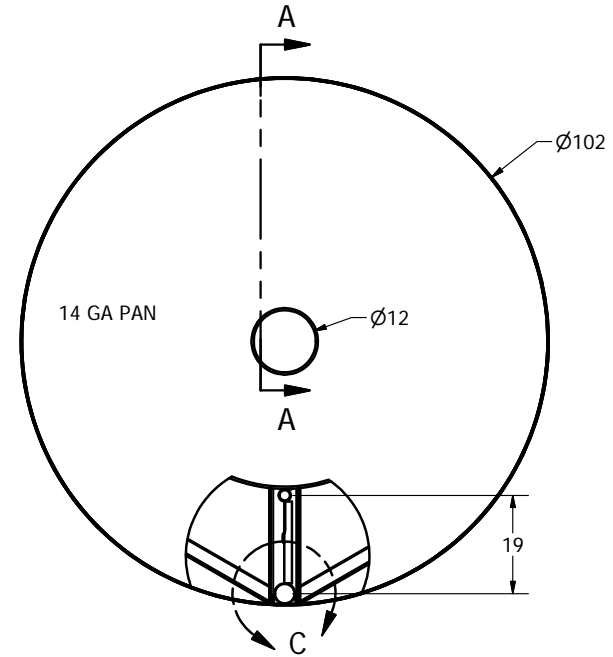
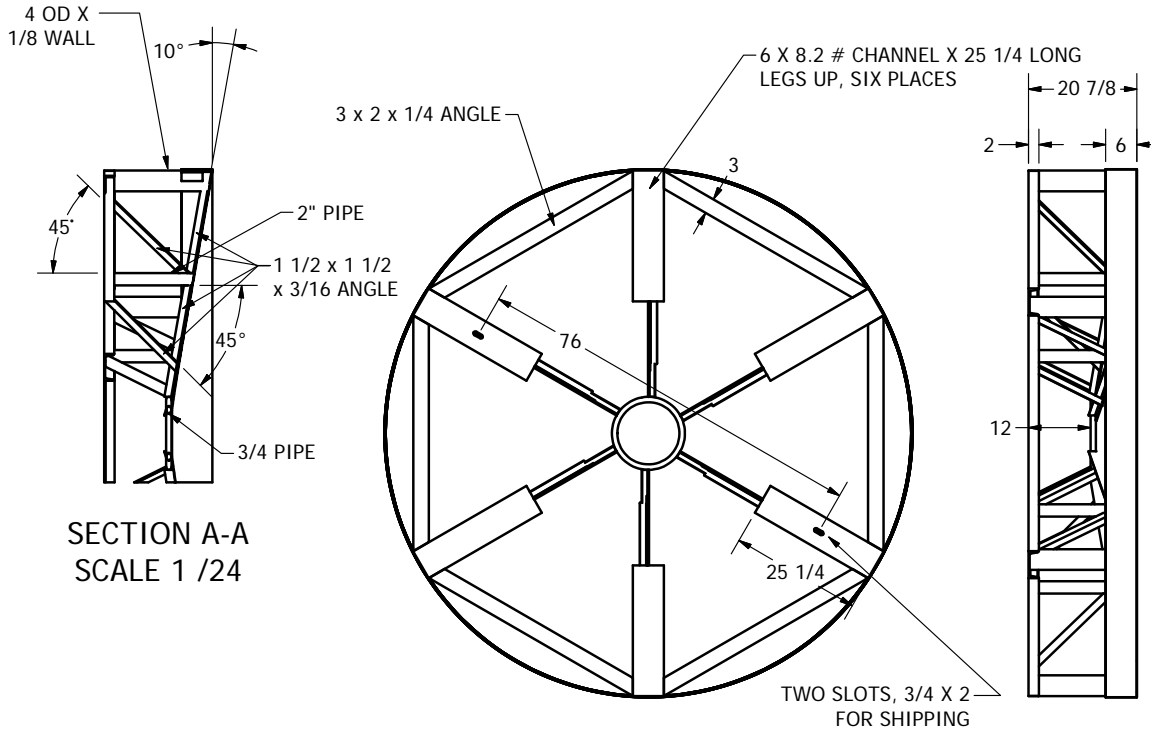



REV	DESCRIPTION	DATE	AUTHOR
A	WAS 4500/6000 X 102	2/3/2015	Jerry Paulson



FOB HANFORD, CA

DRAWN Jerry Paulson	7/22/2009	 NORWESCO, INC., ST. BONIFACIUS, MN	
CHECKED			
QA		TITLE	
MFG		BASE WELDMENT FOR 6000 X 102 X 10 DEG CONE BOTTOM TANK	
APPROVED		(A)	
	SIZE B	DWG NO 63675	REV A
	SCALE: 1/24	SHEET 1 OF 1	