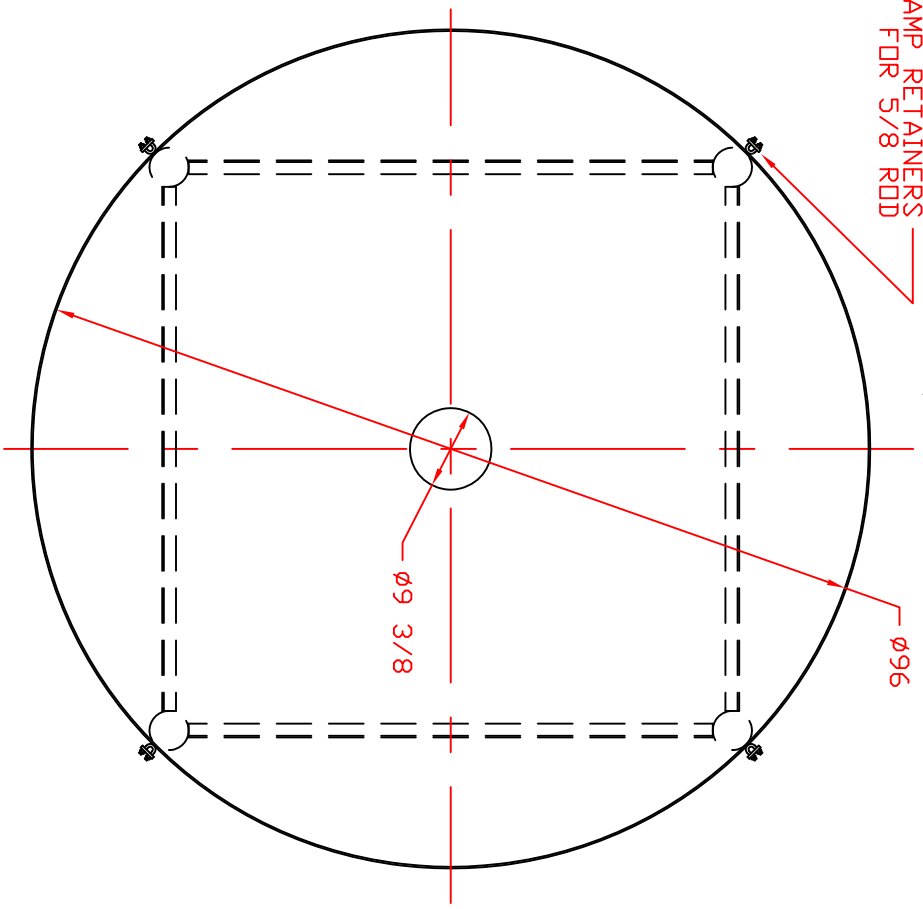


(4) CABLE CLAMP RETAINERS FOR 5/8 RODD



REVISIONS				
ZONE	REV	DESCRIPTION	DATE	APPROVED

		ST. BONIFACIUS, MN STEEL STAND, 2500, 3000 C/B TANKS	
JTP	07MAR97	SIZE	DWG NO.
B	1/16	FSOM NO.	60059
SCALE		SHEET	