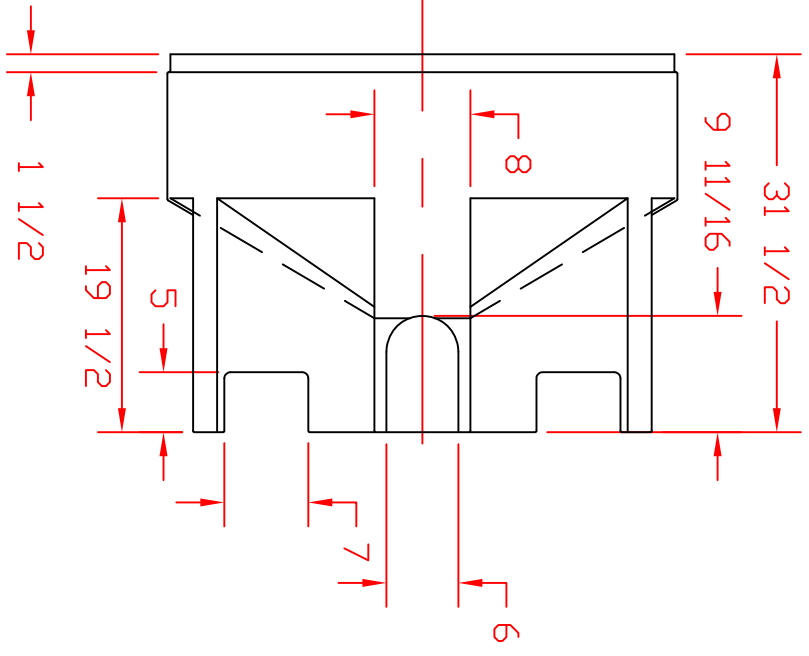
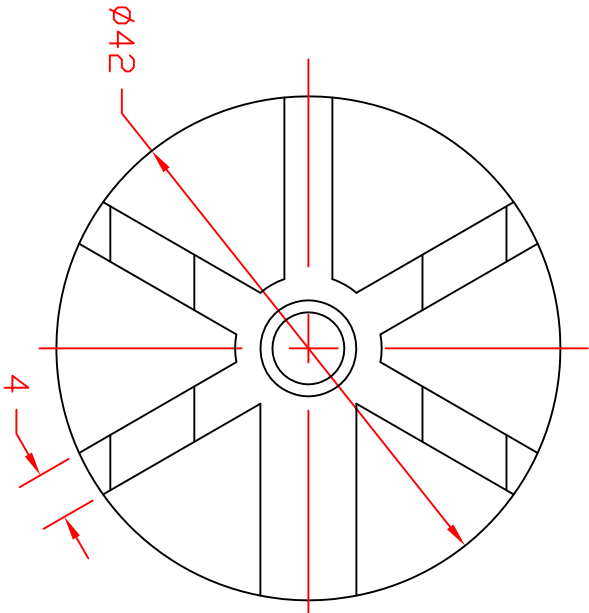


| REVISIONS | | | | |
|-----------|-----|-------------|------|----------|
| ZONE | REV | DESCRIPTION | DATE | APPROVED |
| | | | | |



| | | | | | |
|---|--|---------|------|----------|--|
|  ST. BONIFACIUS, MN | | JTP | | 30JUN99 | |
| | | SCALE | 1/16 | SHEET | |
| 175/310 GALLON CONE BOTTOM BASE | | SIZE | A | FSCM NO. | |
| | | DWG NO. | | REV | |