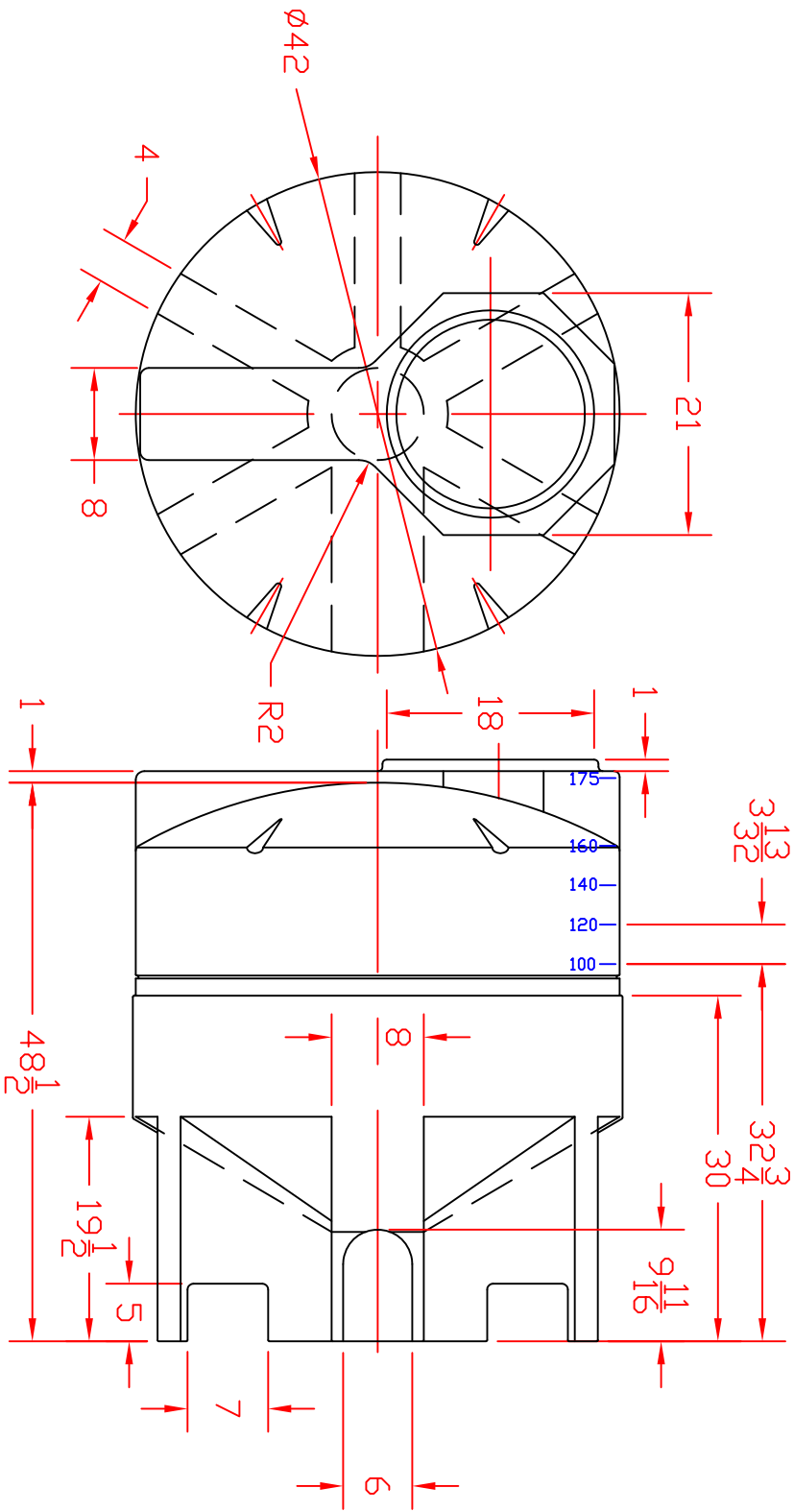


REVISIONS

ZONE	REV	DESCRIPTION	DATE	APPROVED
B		REDRAWN W/ 16" LID	23JAN02	



		ST. BONIFACIUS, MN	
		175 GALLON CONE BOTTOM TANK WITH STAND	
JTP	23JAN02	SIZE	FSCM NO.
		A	
		DWG NO.	
SCALE 1/16		SHEET	REV B