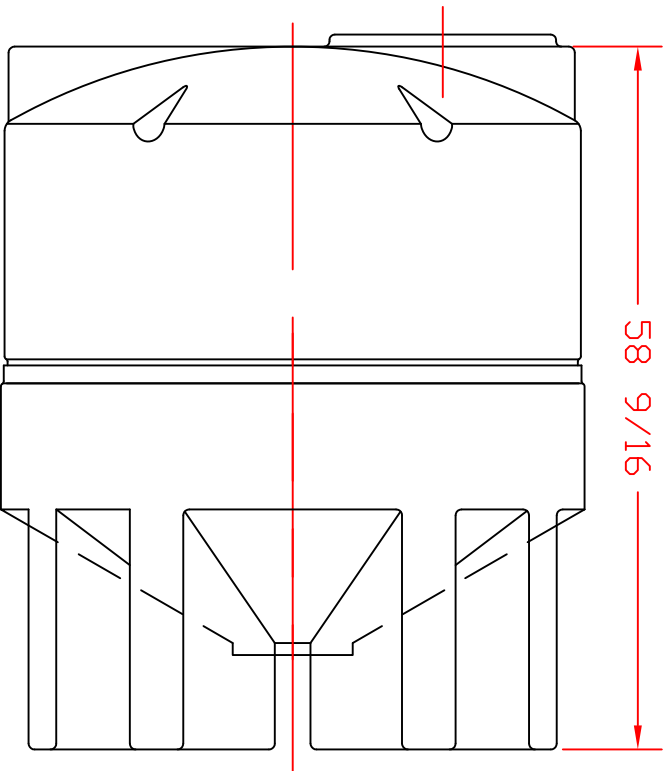



REVISIONS				
ZONE	REV	DESCRIPTION	DATE	APPROVED



		ST. BONIFACIUS, MN	
<b>300 GALLON CONE BOTTOM TANK AND STAND</b>		DWG NO.	
JTP 10APR97	SIZE <b>A</b>	FSCM NO.	REV
SCALE 1/16		SHEET	