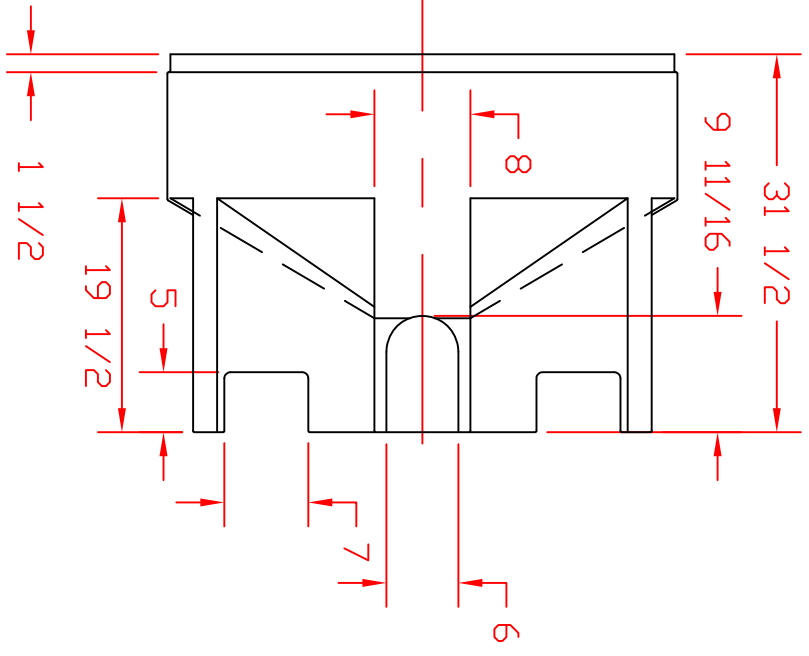
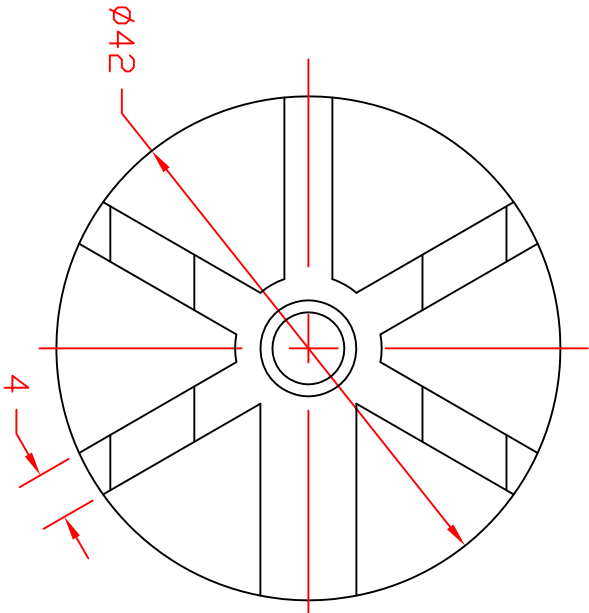


REVISIONS				
ZONE	REV	DESCRIPTION	DATE	APPROVED



 ST. BONIFACIUS, MN		JTP		30JUN99	
		SCALE	1/16	SHEET	
175/310 GALLON CONE BOTTOM BASE		SIZE	A	FSCM NO.	
		DWG NO.		REV	