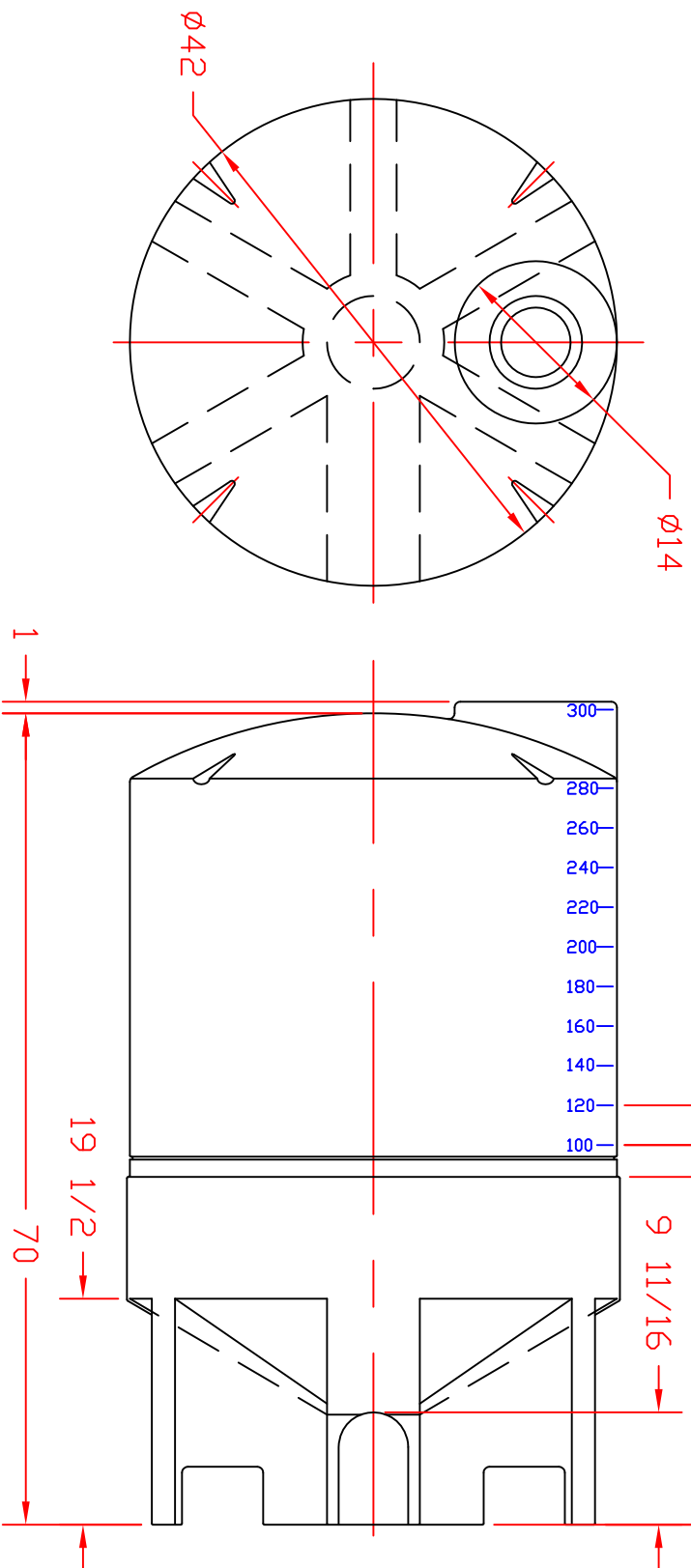



REVISIONS

ZONE	REV	DESCRIPTION	DATE	APPROVED
A	WAS 300		30 JUN99	



 ST. BONIFACIUS, MN		310 GALLON CONE BOTTOM TANK WITH STAND	
		JTP 08APR97	SCALE 1/16