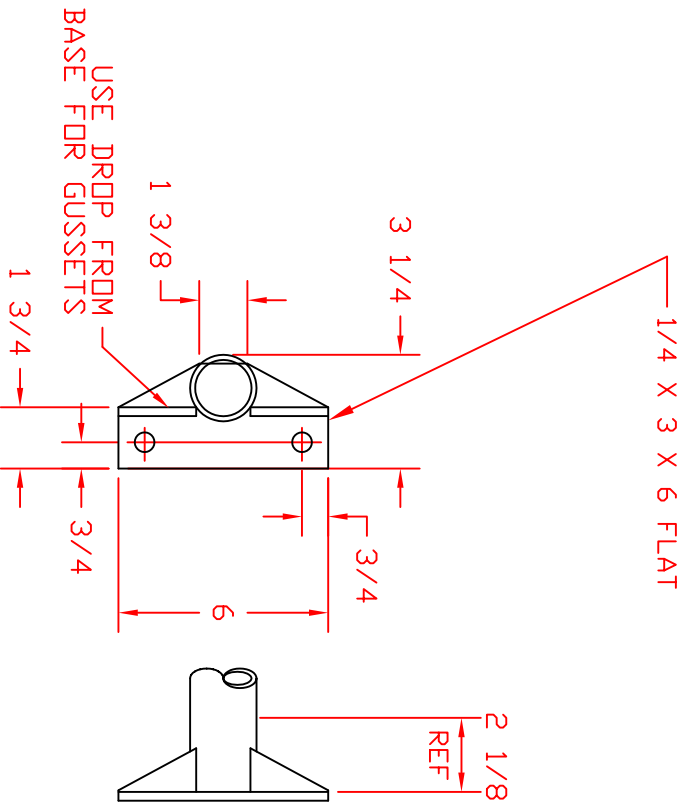
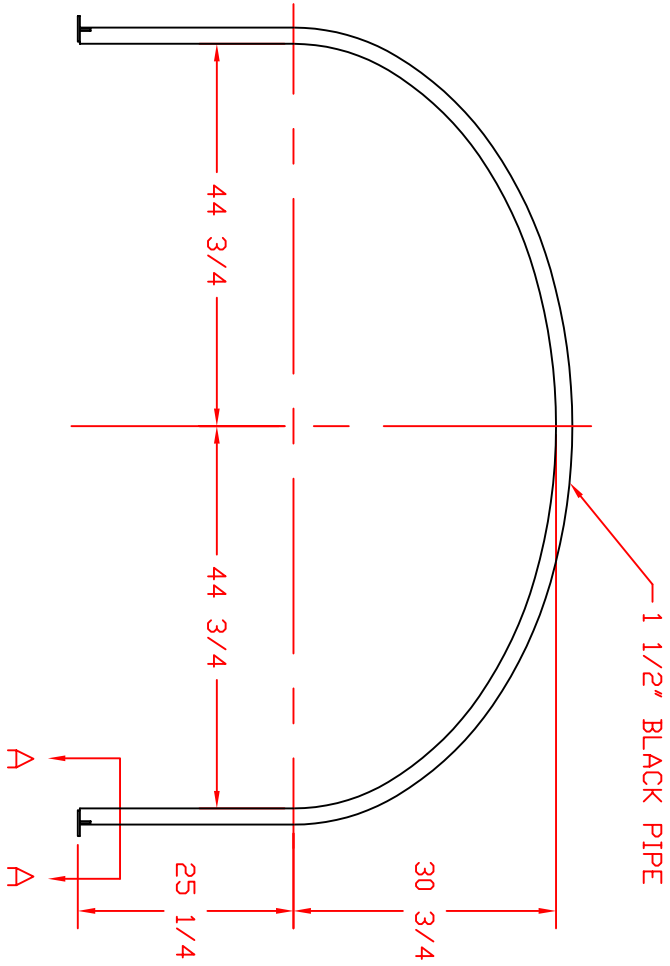


REVISIONS				
ZONE	REV	DESCRIPTION	DATE	APPROVED



VIEW A-A
1/4 SCALE

		ST. BONIFACIUS, MN SHORT BAND, 3210 DRAINABLE TANK	
JTP	14SEP00	SIZE	DWG NO.
B		FSCM NO.	62347
SCALE	1/16	SHEET	REV