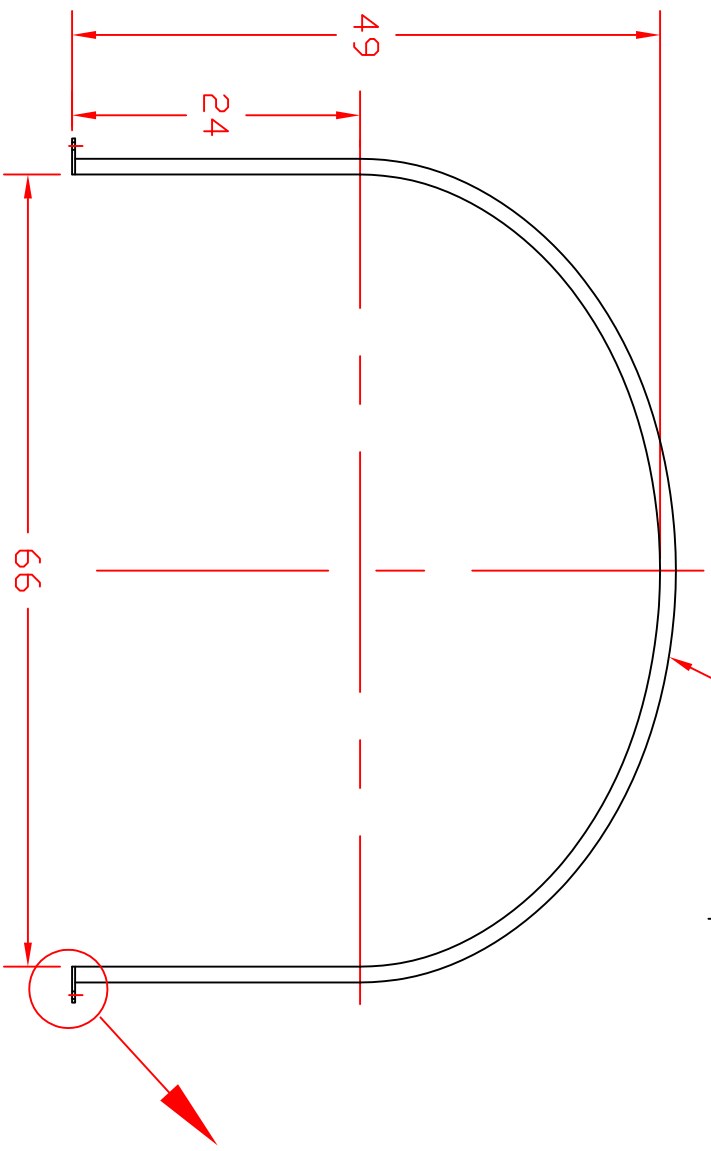
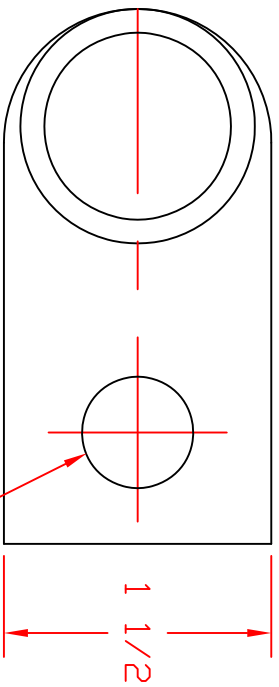


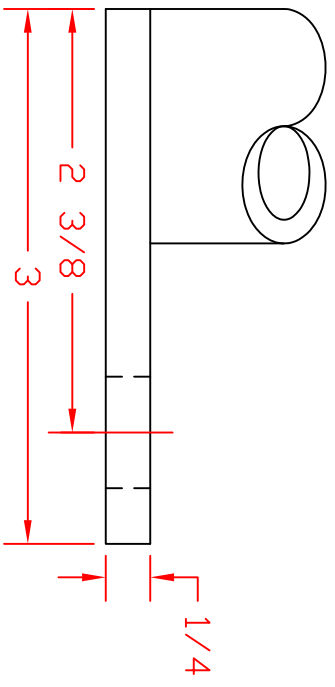
1" BLACK PIPE



REVISIONS				
ZONE	REV	DESCRIPTION	DATE	APPROVED



5/8 DIA  
TWO PLACES



FULL SCALE DETAIL



ST. BONIFACIUS, MN

BAND, 1610 ELLIPTICAL  
DRAINABLE LEG TANK

NOTE: WELD WITH LOW HYDROGEN ROD

FINISH: HOT DIPPED GALVANIZED

JTP	19NOV98	SCALE 1/16	SHEET
SIZE	FSCM NO.	DWG NO.	REV
A		62434	