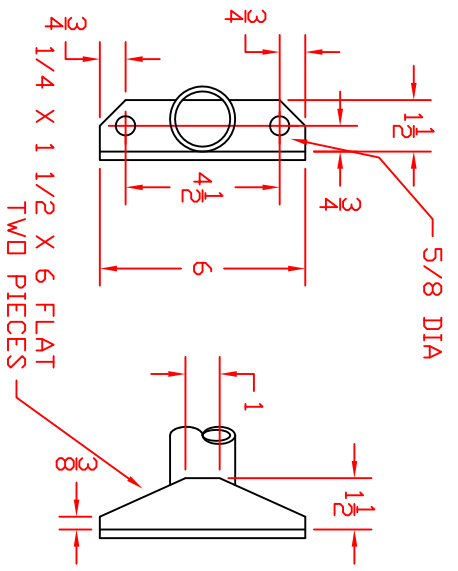
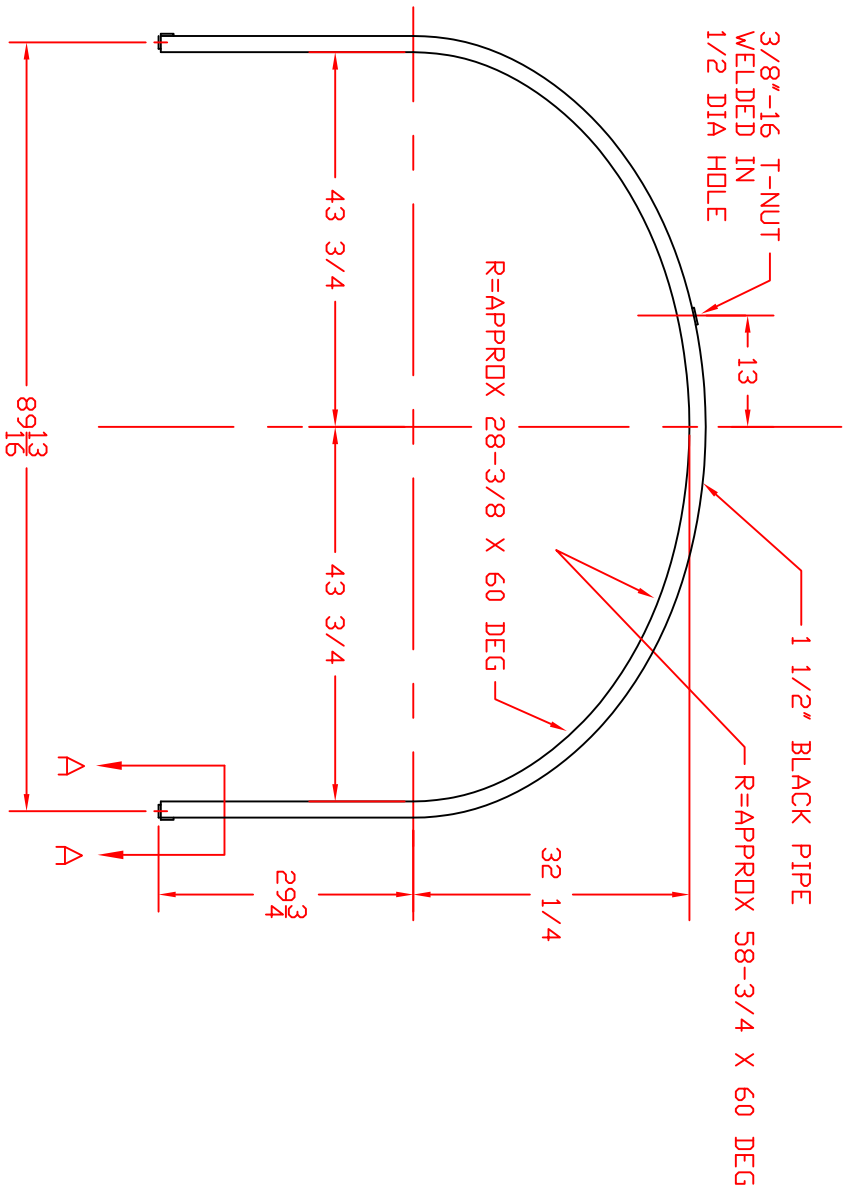


REVISIONS				
ZONE	REV	DESCRIPTION	DATE	APPROVED



		ST. BONIFACIUS, MN BAND, 2610 ELLIPTICAL TANK, LONG	
JTP	19MAR02	SIZE	FSOM NO.
B		DWG NO.	63045
SCALE 1/16		SHEET	
		REV	