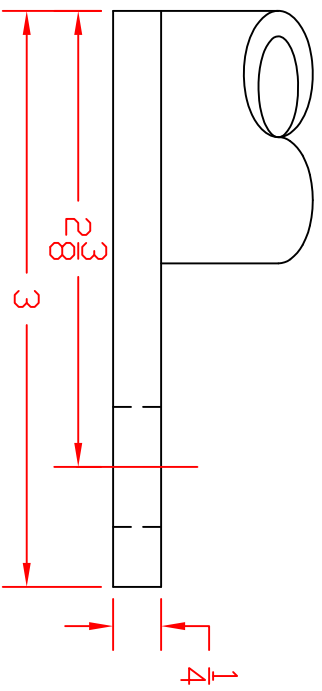
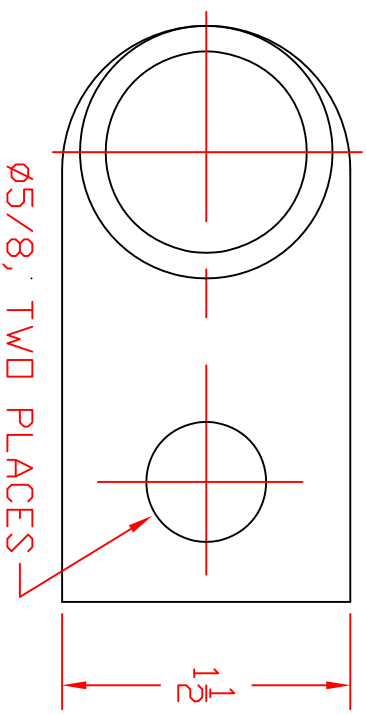
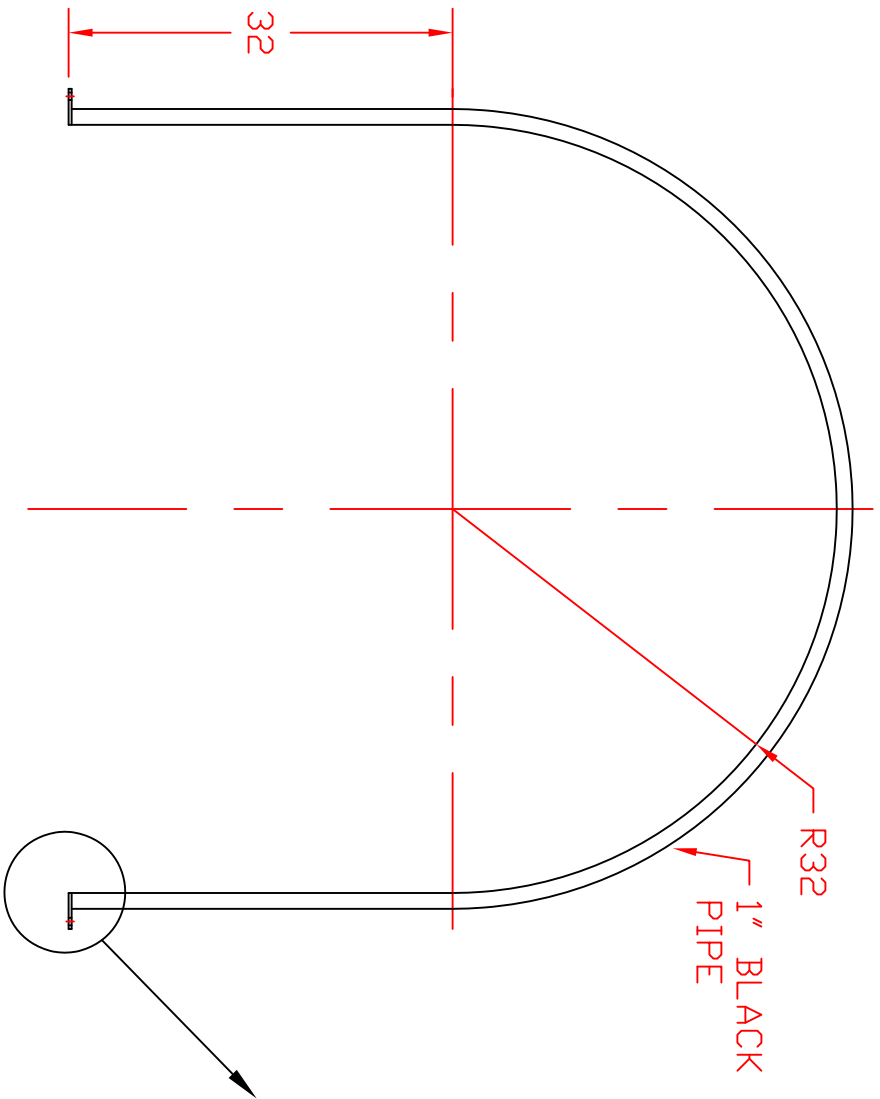


REVISIONS				
ZONE	REV	DESCRIPTION	DATE	APPROVED



FULL SCALE DETAIL

FINISH: HOT DIPPED GALVANIZED

NORWESCO
ST. BONIFACIUS, MN

BAND, 1325 HORIZONTAL &
1310 DRAINABLE TANKS

JTP 15SEP03

SIZE FSCM NO.
A

DWG NO. 63282

REV

SCALE 1/16

SHEET