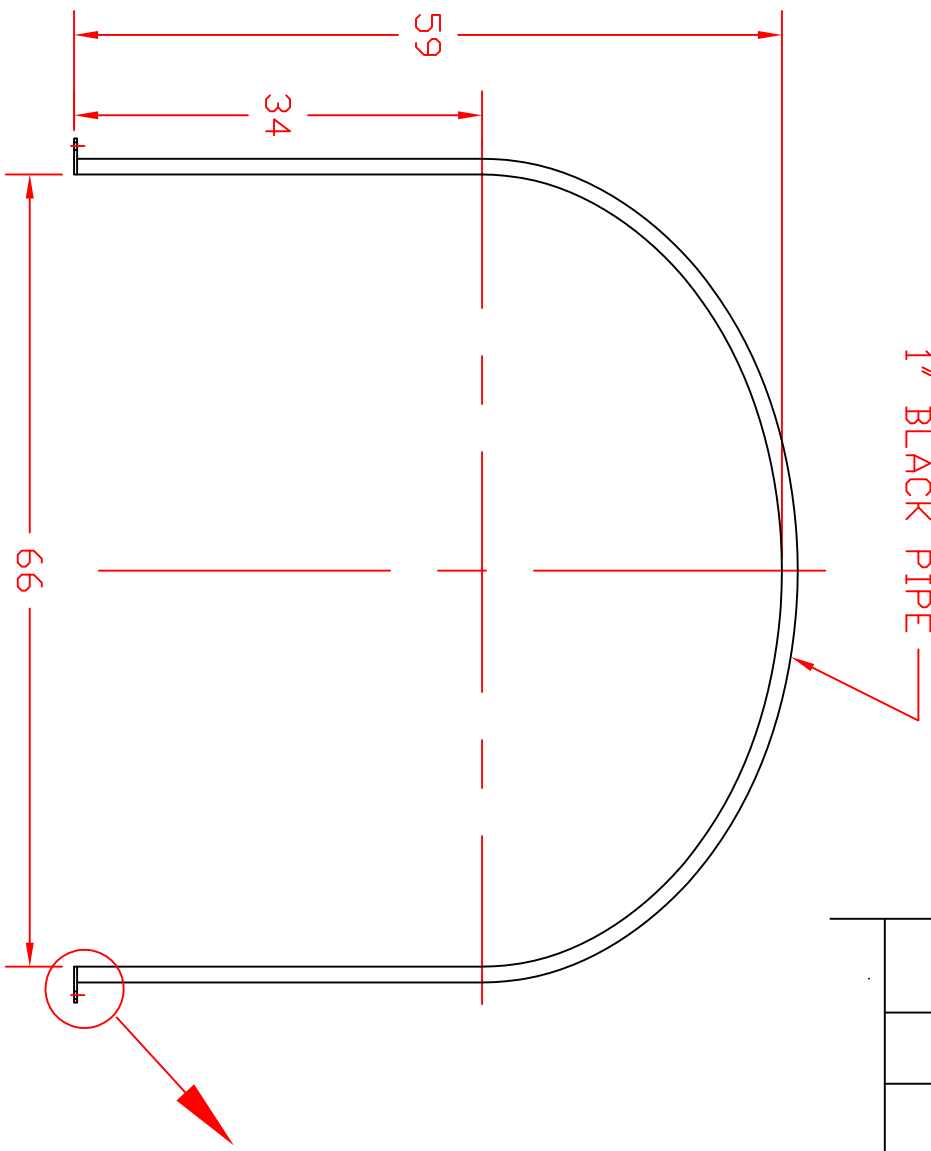
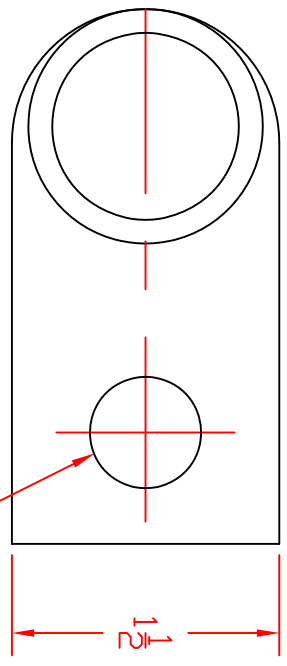


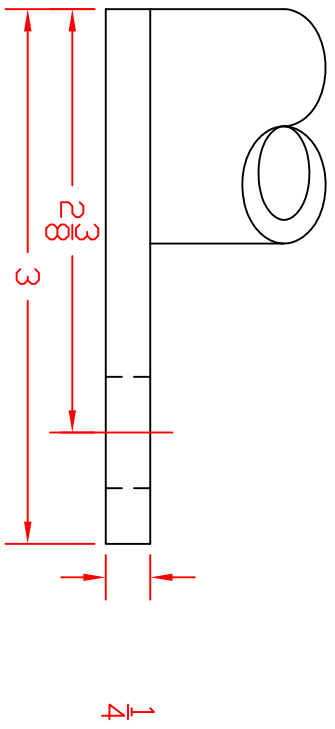
1" BLACK PIPE



| REVISIONS | | | | |
|-----------|-----|-------------|------|----------|
| ZONE | REV | DESCRIPTION | DATE | APPROVED |
| | | | | |



5/8 DIA
TWO PLACES



FULL SCALE DETAIL



ST. BONIFACIUS, MN

BAND, 2010 ELLIPTICAL
DRAINABLE LEG TANK

NOTE: WELD WITH LOW HYDROGEN ROD

FINISH: HOT DIPPED GALVANIZED

| | | | |
|------|----------|------------|-------|
| JTP | 15FEB11 | SCALE 1/16 | SHEET |
| SIZE | FSCM NO. | DWG NO. | REV |
| A | | 63846 | |