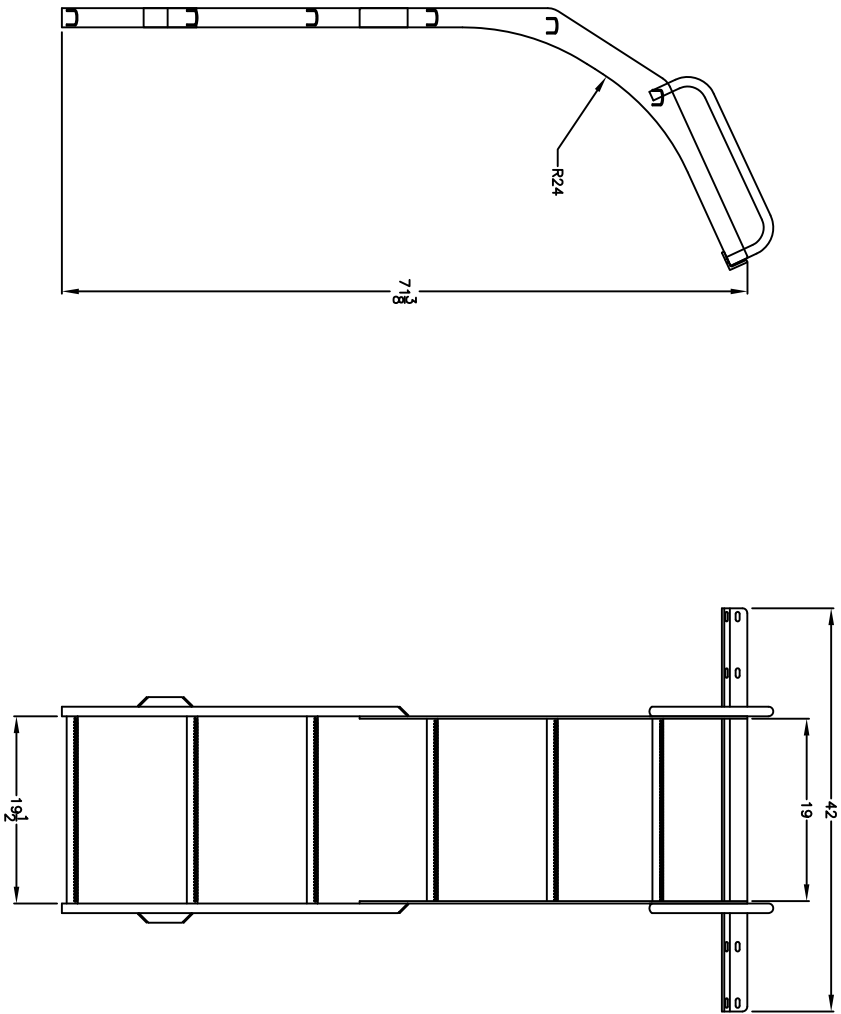


REVISIONS

ZONE	REV	DESCRIPTION	DATE	APPROVED



**NORWESCO**  
ST. BONIFACIUS, MN

LADDER  
2610 & 3210

JTP	06JAN03	SIZE	FSCM NO.	DWG NO.	REV
A		A		63047	
SCALE	1/20	SHEET			