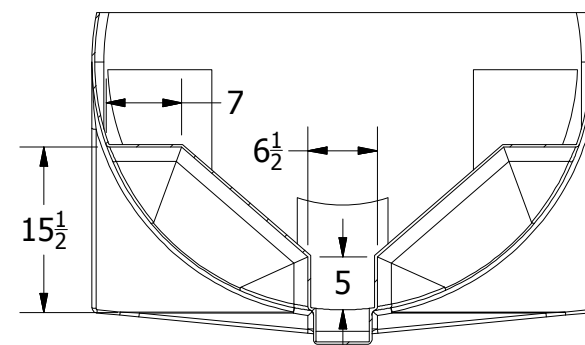
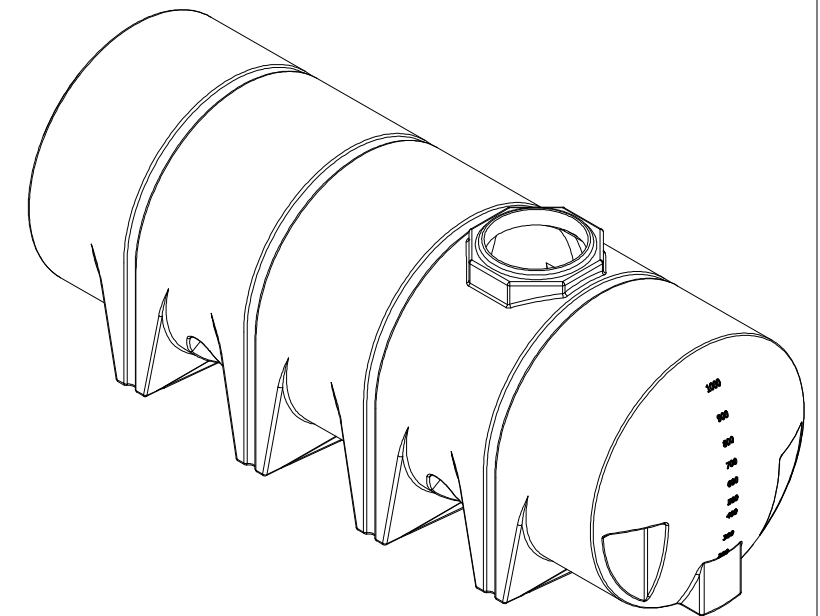



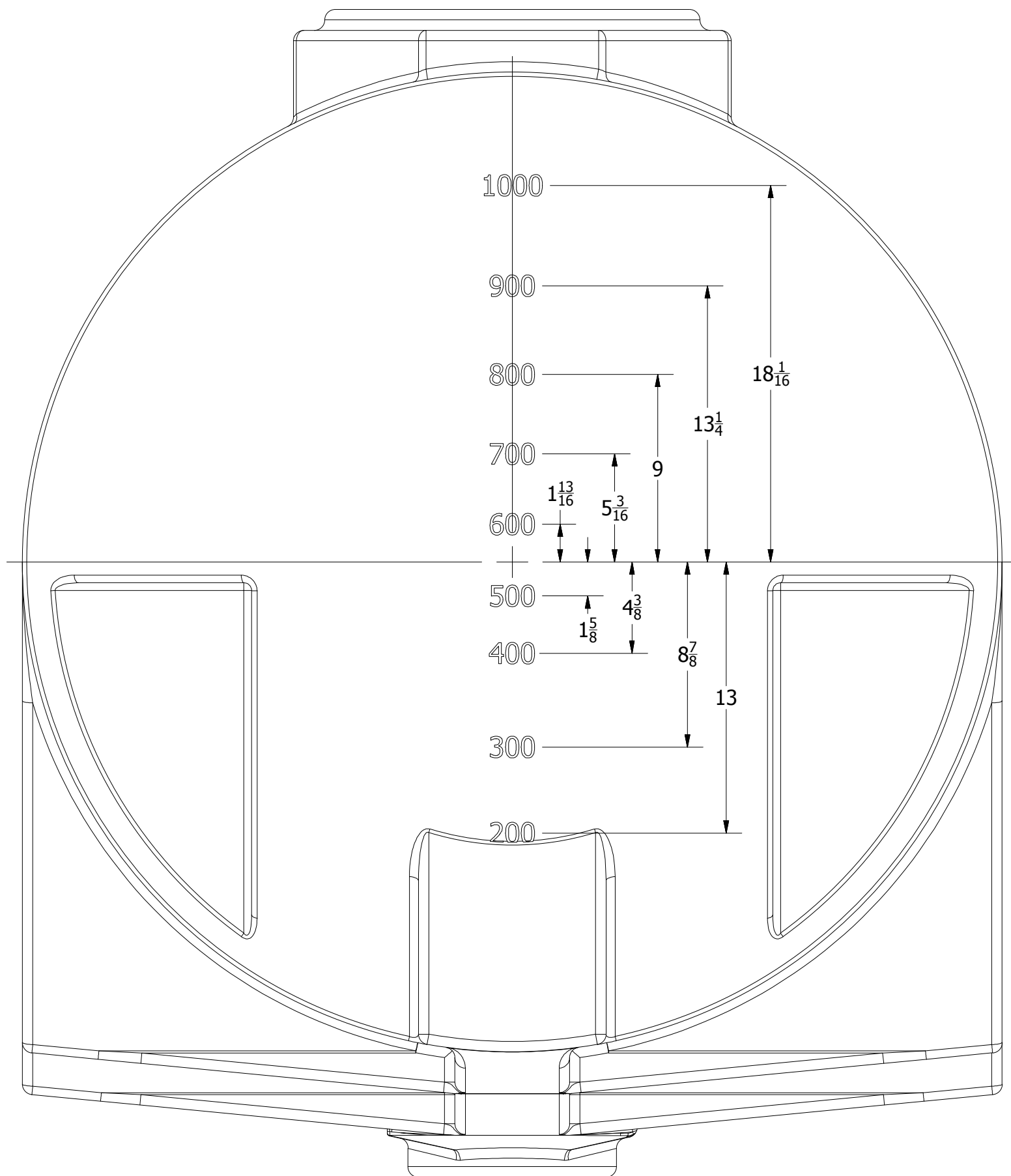
SECTION B-B




SECTION A-A



REVISION HISTORY			
REV	DESCRIPTION	DATE	AUTHOR
A	SUMP AREA REVISED	9/28/2001	
B	REDRAWN	7/31/2013	Michael Holden
DRAWN Jerry Paulson		7/11/1994	 NORWESCO, INC. SAINT BONIFACIUS, MN TITLE
CHECKED			
QA			1010 GALLON HORIZONTAL DRAINABLE TANK
MFG			
APPROVED			
SIZE B		DWG NO	REV B
SCALE: 1/16		SHEET 1 OF 2	



DRAWN Jerry Paulson	7/11/1994	 NORWESCO NORWESCO, INC. SAINT BONIFACIUS, MN		
CHECKED		TITLE		
QA		1010 GALLON HORIZONTAL DRAINABLE TANK		
MFG				
APPROVED				
		SIZE B	DWG NO	REV B
		SCALE: 1/16	SHEET 2 OF 2	