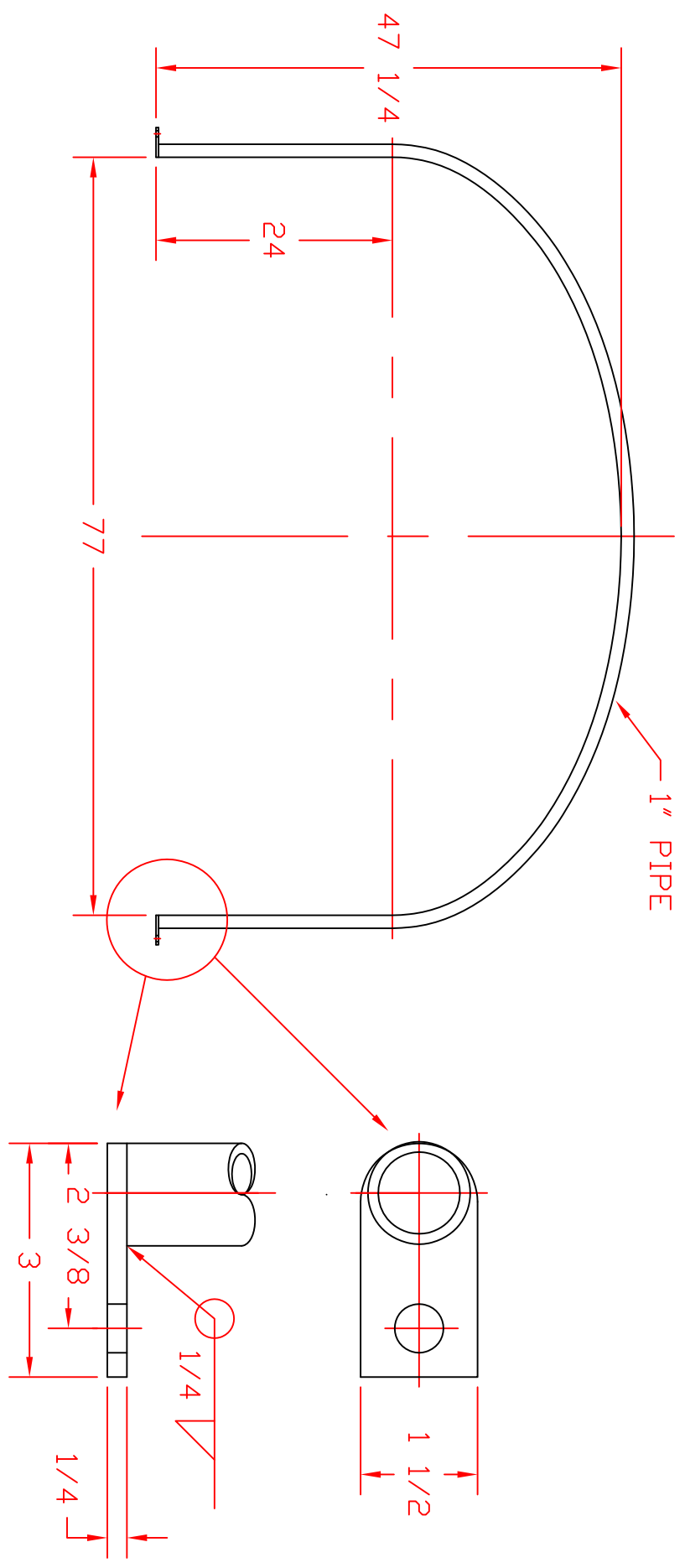


REVISIONS				
ZONE	REV	DESCRIPTION	DATE	APPROVED
	A	REDRAWN	25 JUN 97	



HDT-DIPPED GALVANIZED FINISH		NORWESCO ST. BONIFACIUS, MN	
JTP 25JUN97		BAND, 1035 ELLIPTICAL LEG TANK	
SIZE	FSCM NO.	DWG NO.	REV
A		60325	A
SCALE 1/16		SHEET	