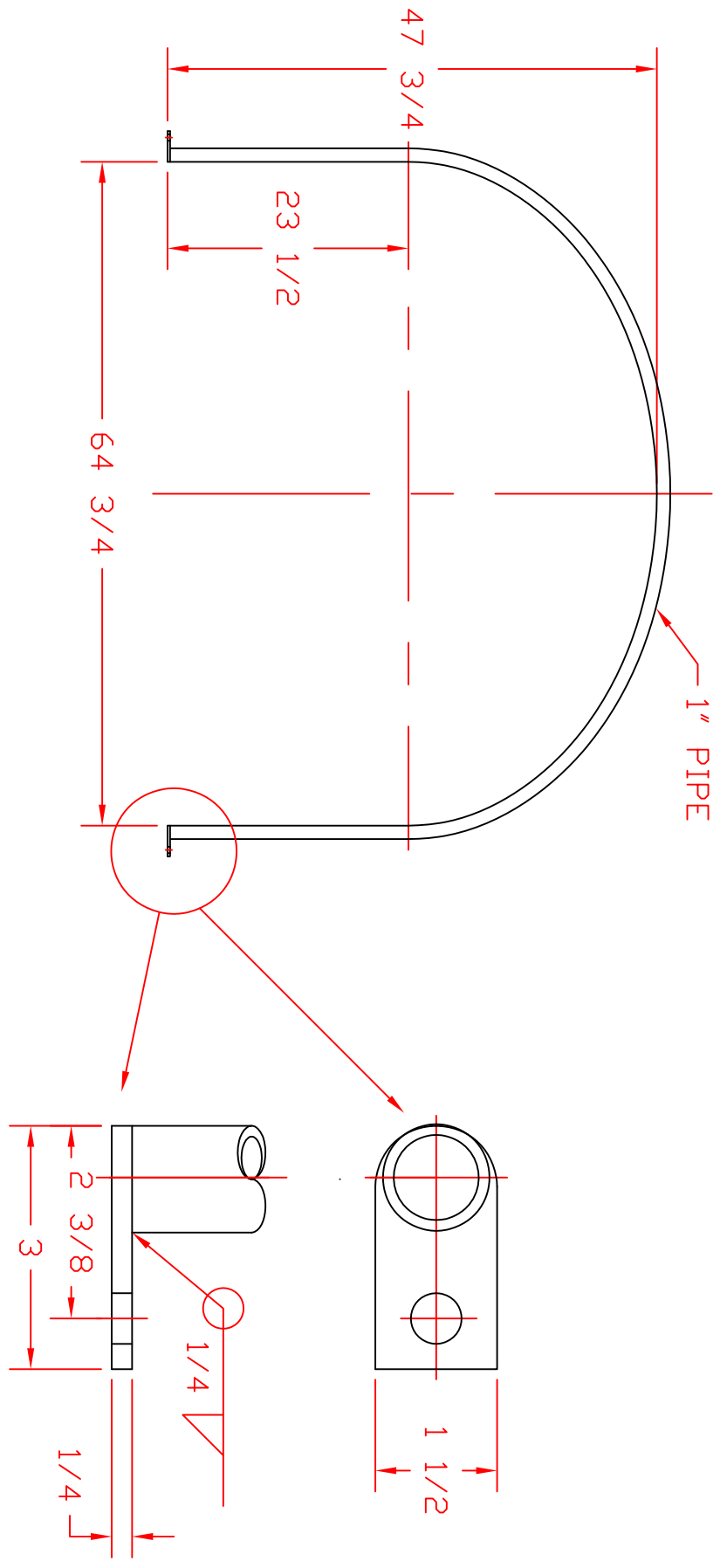


REVISIONS				
ZONE	REV	DESCRIPTION	DATE	APPROVED
B		RE DRAWN	25 JUN 97	



HDT-DIPPED GALVANIZED FINISH		NORWESCO ST. BONIFACIUS, MN	
JTP 27JUN97		BAND, 1235 ELLIPTICAL LEG TANK	
SIZE A	FSCM NO.	DWG NO.	REV B
SCALE 1/16		60477	
		SHEET	