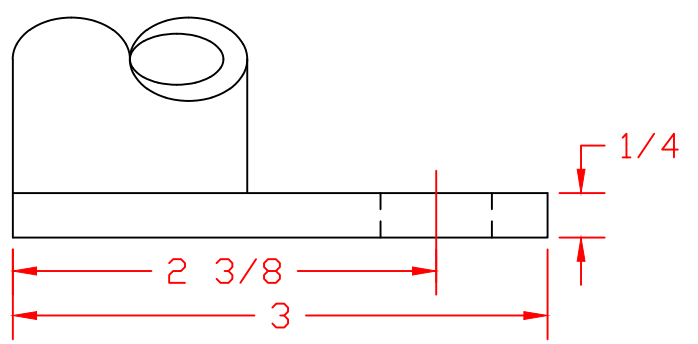
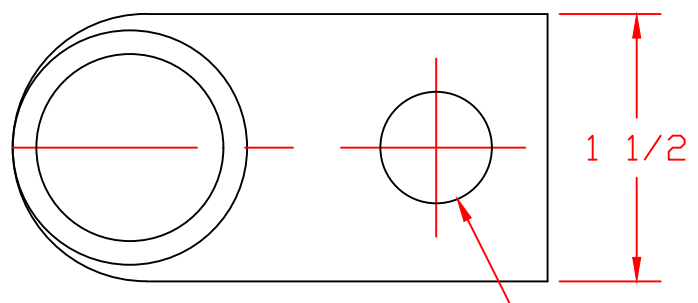
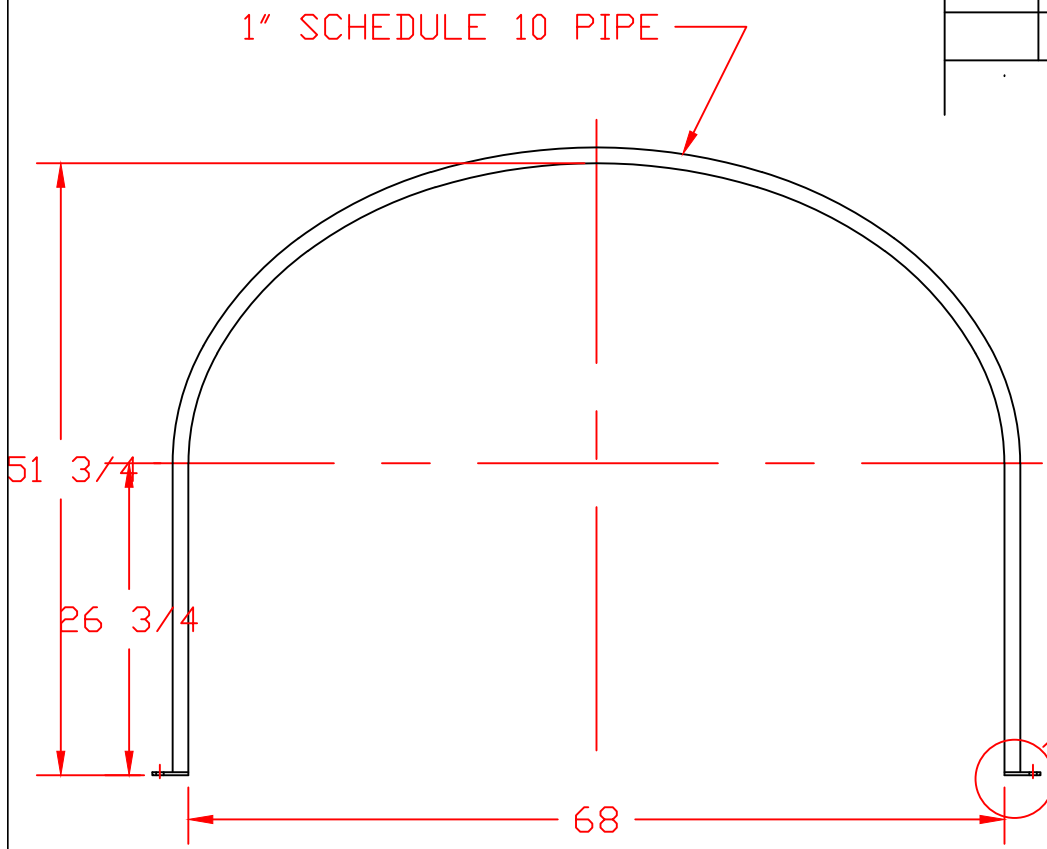


REVISIONS				
ZONE	REV	DESCRIPTION	DATE	APPROVED



FULL SCALE DETAIL

NOTE: WELD WITH LOW HYDROGEN ROD
 FINISH: HOT DIPPED GALVANIZE

8-15-2017		NORWESCO		DWG NO. 64191	REV A
		ST. BONIFACIUS, MN			
		BAND, 1635 ELLIPTICAL			
		LEG TANK			
		SCALE 1/16	SHEET		