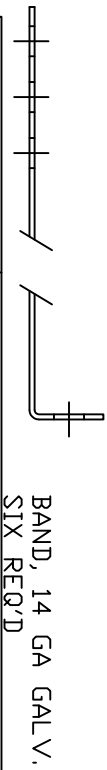
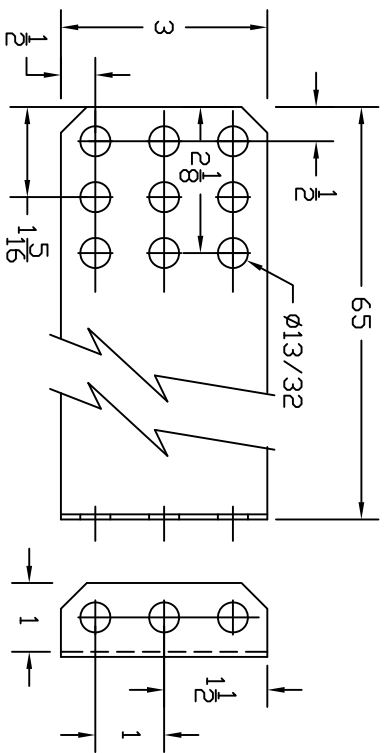
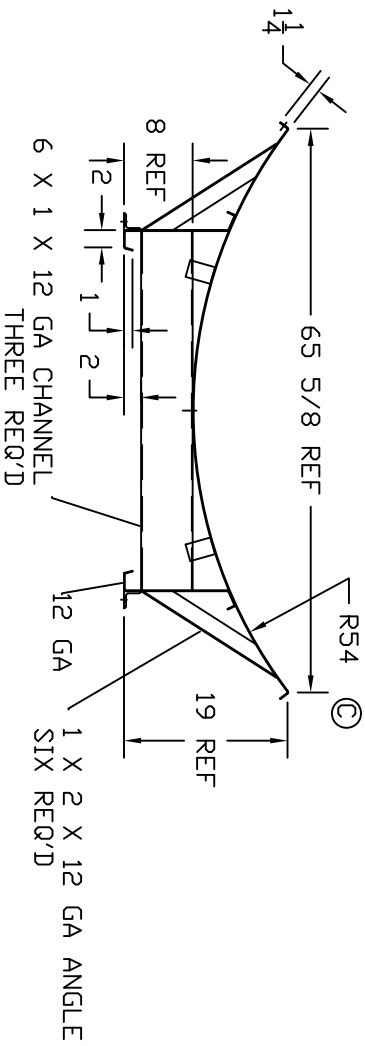
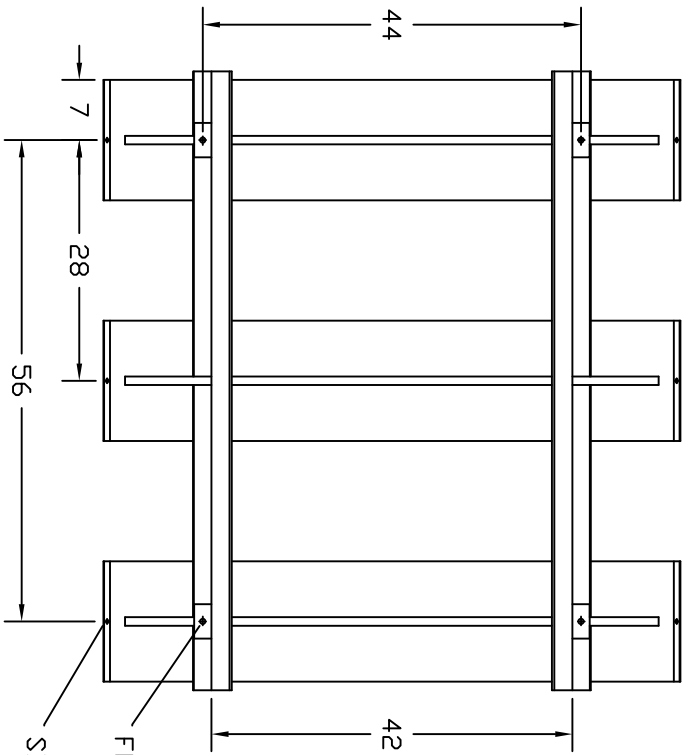
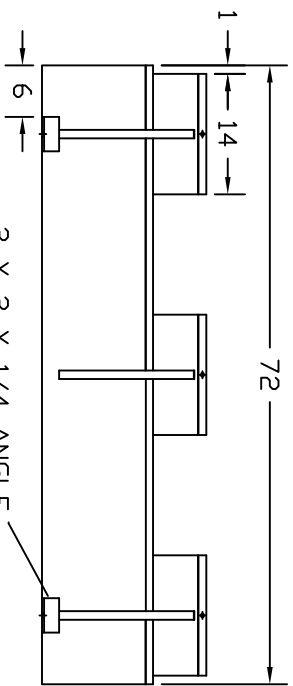


PAINT SKID WELDMENT BLACK

REVISIONS

ZONE	REV	DESCRIPTION	DATE	APPROVED
C	REDRAWN, R WAS 61	18MAR02		
	29/32			
D	BAND REVISED & REDRAWN	09APR09		



norwesco
ST. BONIFACIUS, MN
1000 ELLIPTICAL SKID

JTP	18MAR02	SIZE	FSOM NO.	DWG NO.	REV
		B			D
SCALE 1/16				SHEET	