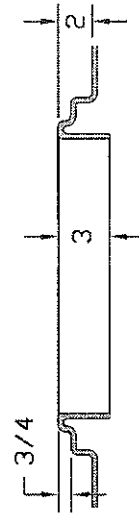
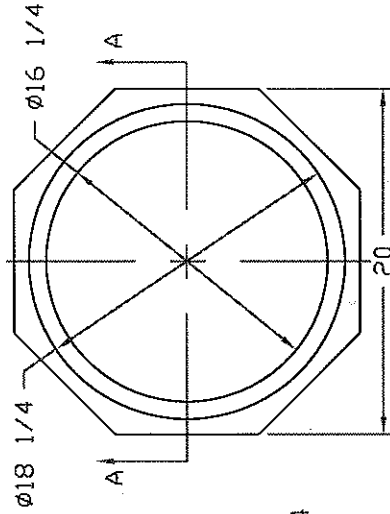
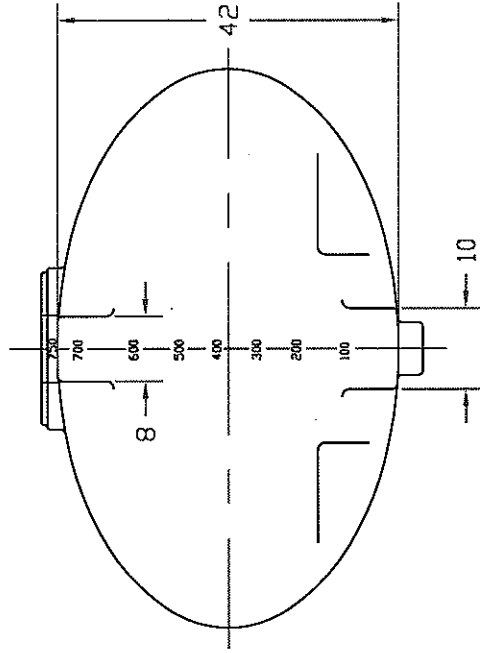
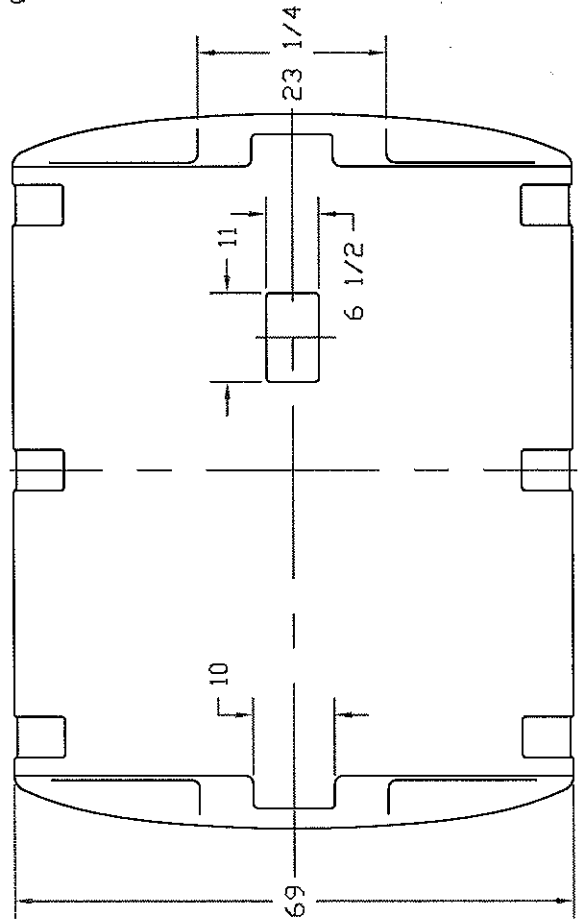
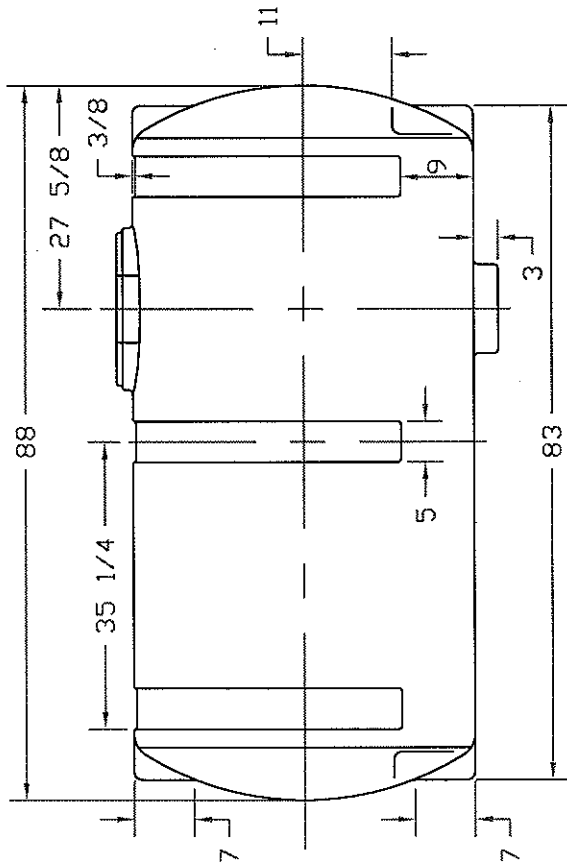


REVISIONS		
ZONE	REV	DESCRIPTION
	A	REDRAWN

DATE	APPROVED
29OCT96	



FILLWELL DETAILS  
1/8 SCALE

**NORWESCO**  
ST. BONIFACIUS, MN

750 GALLON ELLIPTICAL  
TANK

JTP	29OCT96	UWS NO.	SCALE 1/16	SHEET
SIZE	FSCM NO.	REV		
B				