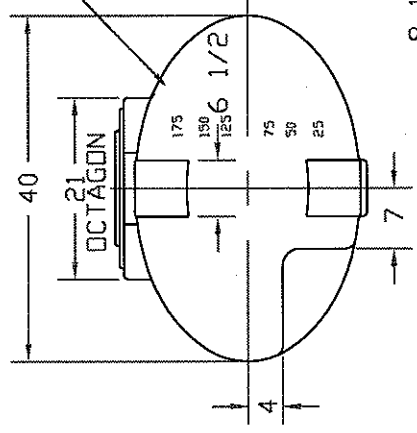
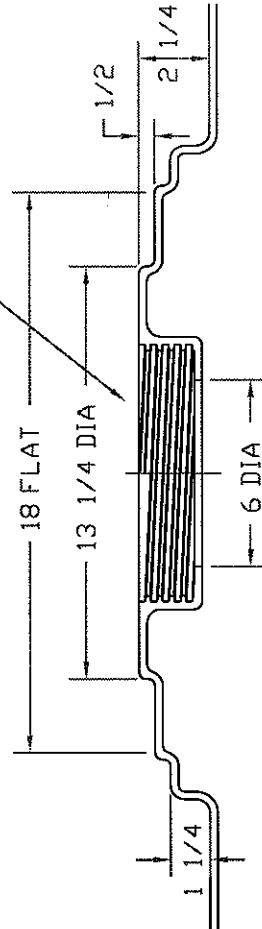


REVISIONS			
ZONE	REV	DESCRIPTION	DATE

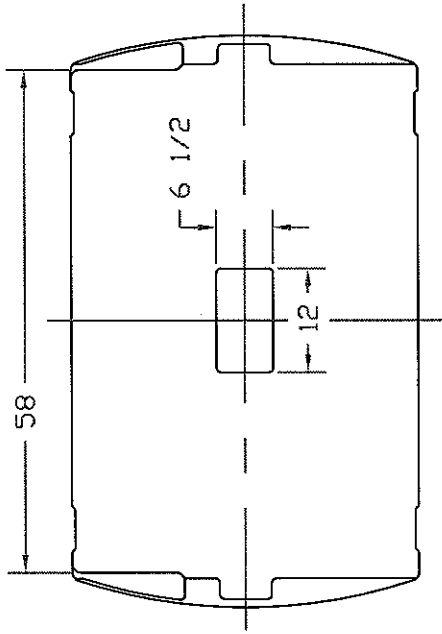
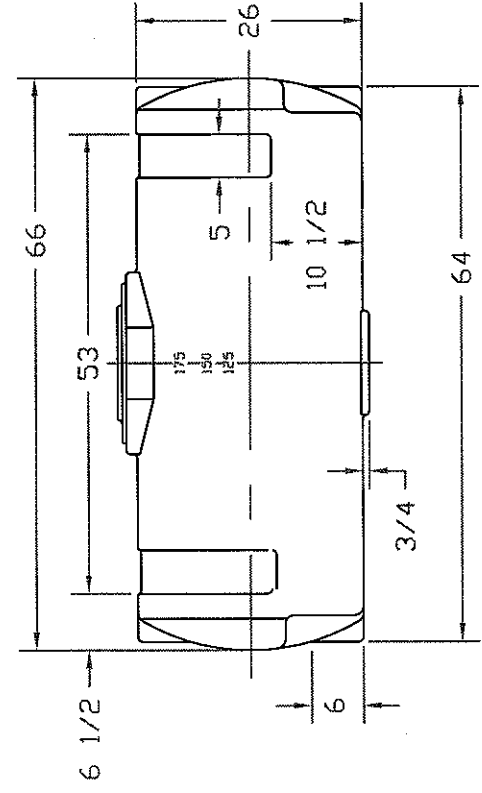
GALLON MARKERS THIS END AND TOP HALF OF BOTH SIDES



8 1/4 OD X 3/4 PITCH DOUBLE-LEAD ACME THREAD FOR 60002 LID



FILLWELL DETAIL
1/4 SCALE



NORWESCO
ST. BONIFACIUS, MN
200 GALLON ELLIPTICAL
SPRAYER TANK

JTP 07SEP99	SIZE B	FSCM NO.	DWG NO.	REV

SCALE 1/16

SHEET