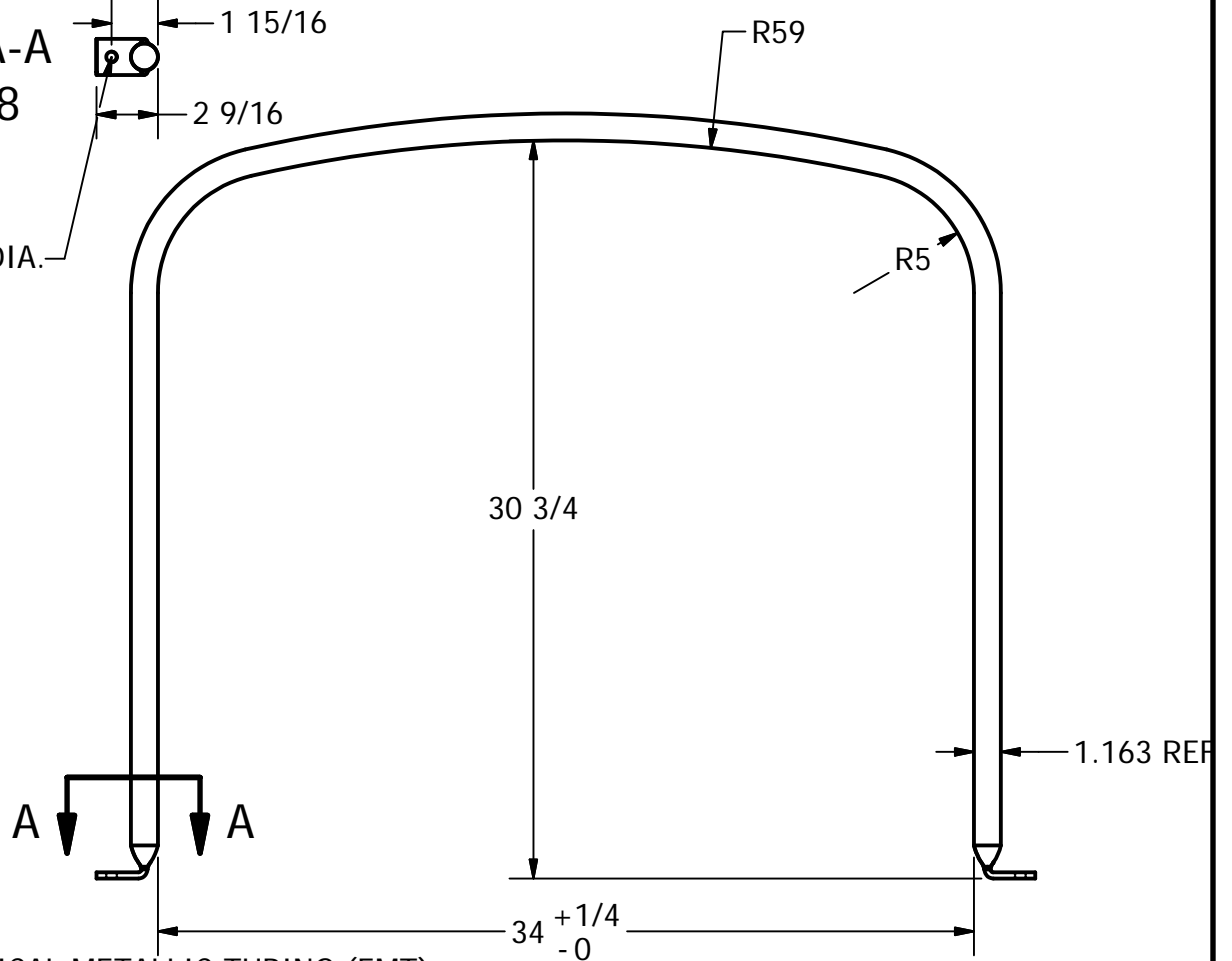
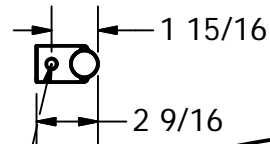
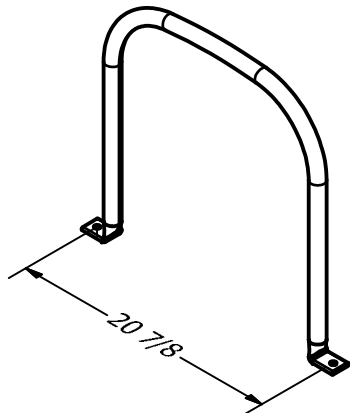



SECTION A-A
SCALE 1/8

(2) HOLES, 7/16 DIA.



MAT'L: 1" ELECTRICAL METALLIC TUBING (EMT)



DRAWN Jerry Paulson	7/9/2010	 NORWESCO, INC., ST. BONIFACIUS, MN		
CHECKED				
QA		HOOP, 200 GALLON FLAT BOTTOM UTILITY TANK		
MFG				
APPROVED				
		SIZE A	DWG NO 63554	REV
		SCALE: 1/16	SHEET 1 OF 1	