
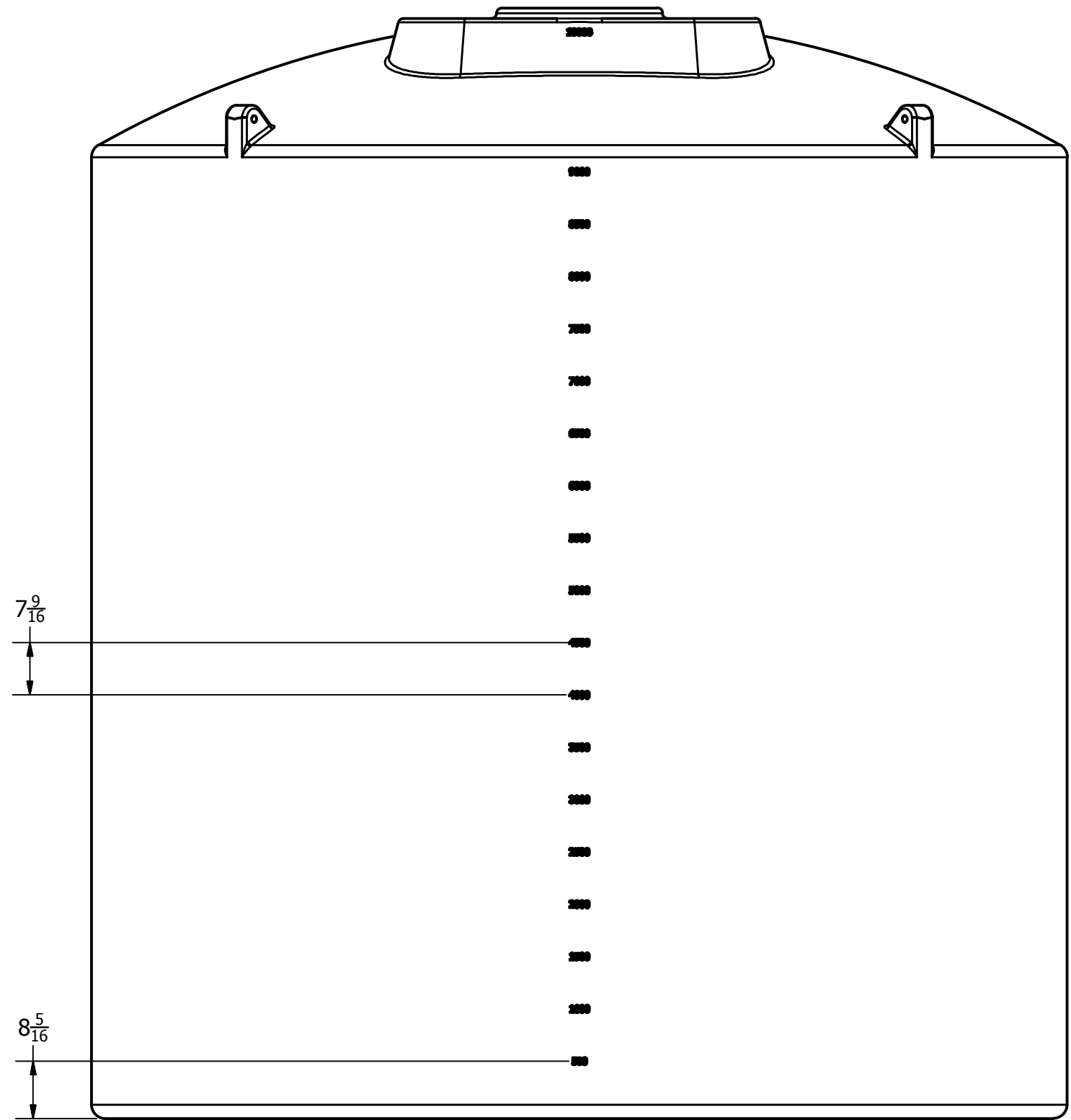



SECTION A-A  
SCALE 1:12

FOB HANFORD, CA

REVISION HISTORY			
REV	DESCRIPTION	DATE	AUTHOR
A	REDRAWN	6/28/2013	Michael Holden
DRAWN	Jerry Paulson	2/23/2001	 NORWESCO, INC. SAINT BONIFACIUS, MN TITLE <b>10000 GALLON VERTICAL TANK</b>
CHECKED			
QA			
MFG			
APPROVED			
	SIZE	DWG NO	REV
	<b>B</b>		<b>A</b>
	SCALE: 1/16		SHEET 1 OF 2



DRAWN Jerry Paulson CHECKED	2/23/2001	 NORWESCO, INC. SAINT BONIFACIUS, MN		
QA		TITLE		
MFG		10000 GALLON VERTICAL TANK		
APPROVED				
		SIZE	DWG NO	REV
		B		A
		SCALE: 1/16		SHEET 2 OF 2