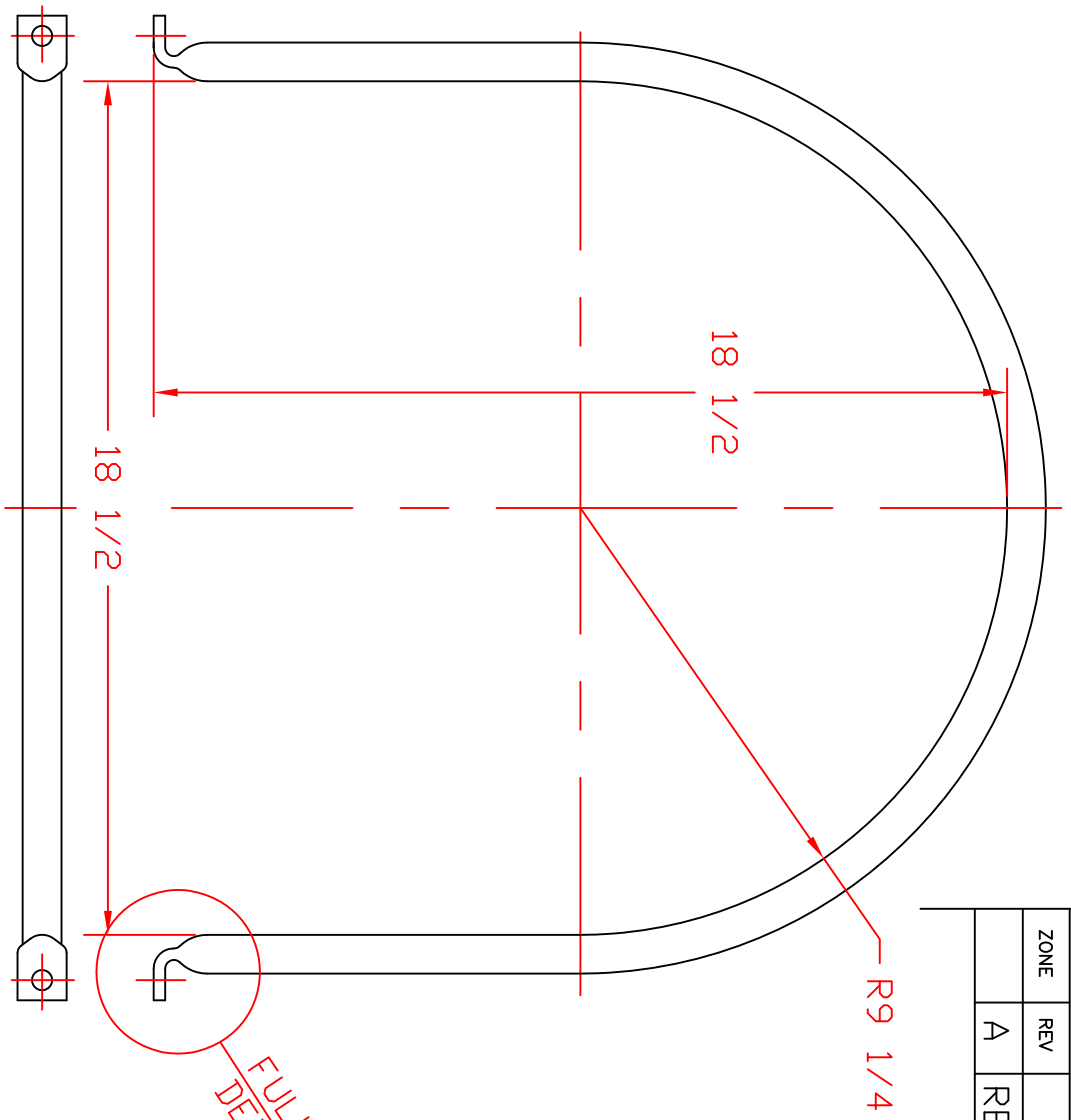
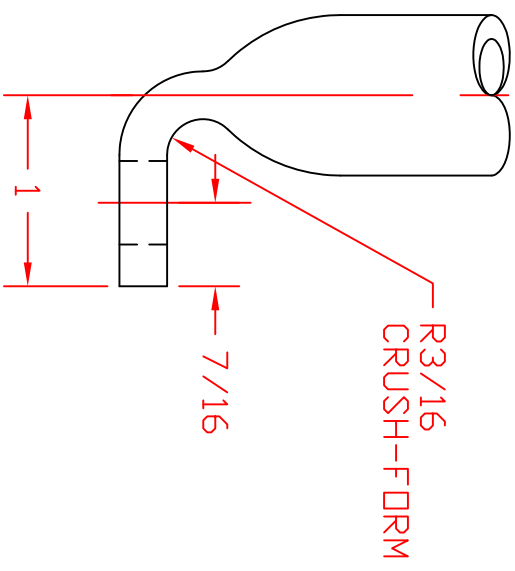
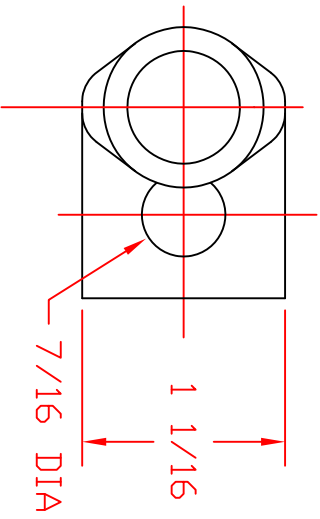


REVISIONS				
ZONE	REV	DESCRIPTION	DATE	APPROVED
A	REDRAWN		09SEP97	



FULL SCALE
DETAIL



MAT'L: 1/2" GALVANIZED EMT CONDUIT

		ST. BONIFACIUS, MN BAND, 35 GALLON HORIZONTAL TANK	
JTP	09SEP97	SIZE	FSCM NO.
A		A	
SCALE 1/4		DWG NO.	60520
SHEET		REV	A