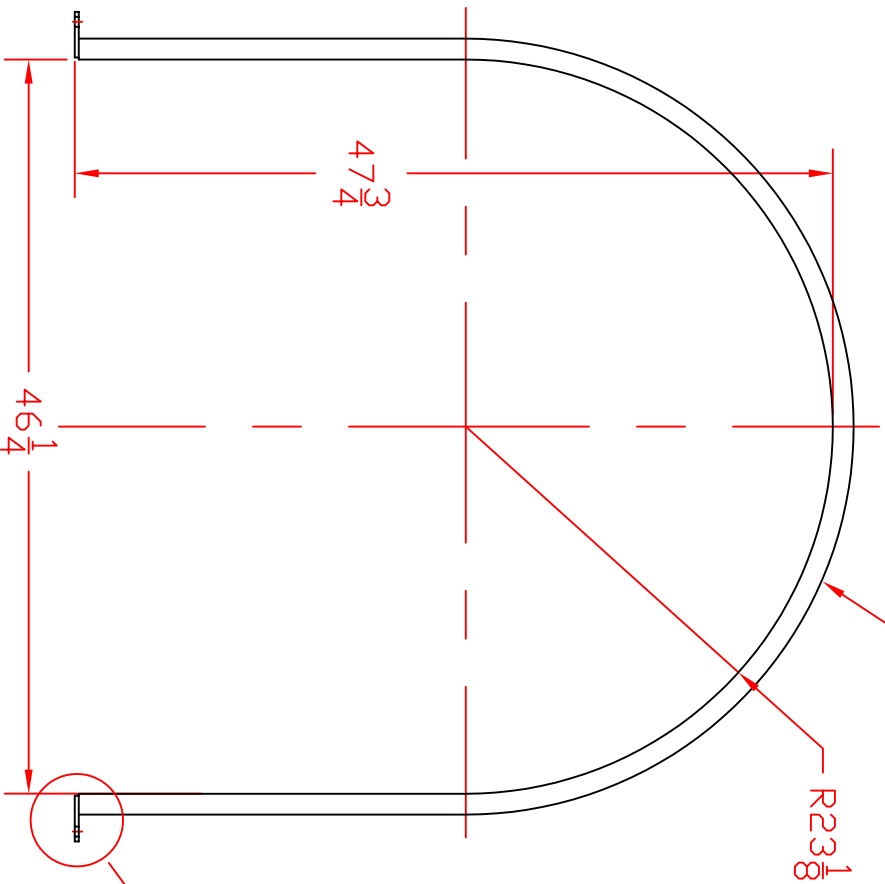
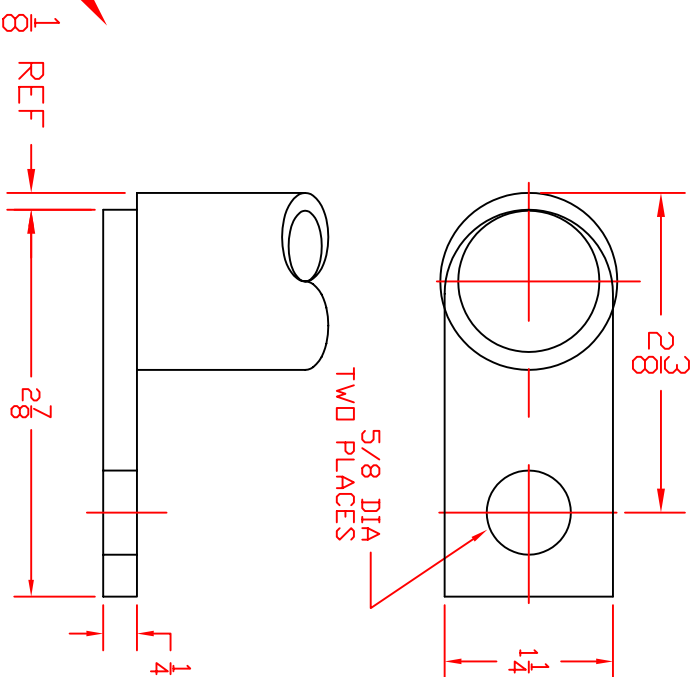


1" PIPE (1.31" OD) W/ .120" WALL



REVISIONS				
ZONE	REV	DESCRIPTION	DATE	APPROVED
	A	REDRAWN	10SEP97	
	B	REVISED & REDRAWN	14JAN04	



FULL SCALE DETAIL

NOTE: WELD WITH LOW HYDROGEN ROD
FINISH: HOT DIPPED GALVANIZED

THIS DRAWING MODIFIED WITH
NARROWER FOOT.

 ST. BONIFACIUS, MN		BAND, 425, 525, 725, & 1025 GAL. HORIZ. TANKS			
		SIZE	FSCM NO.	DWG NO.	REV
JTP	14JAN04	A		60057	B
SCALE 1/12		SHEET			