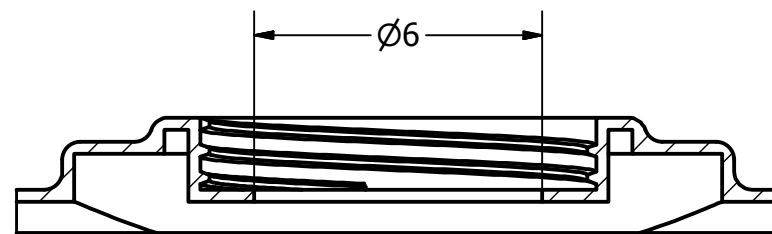
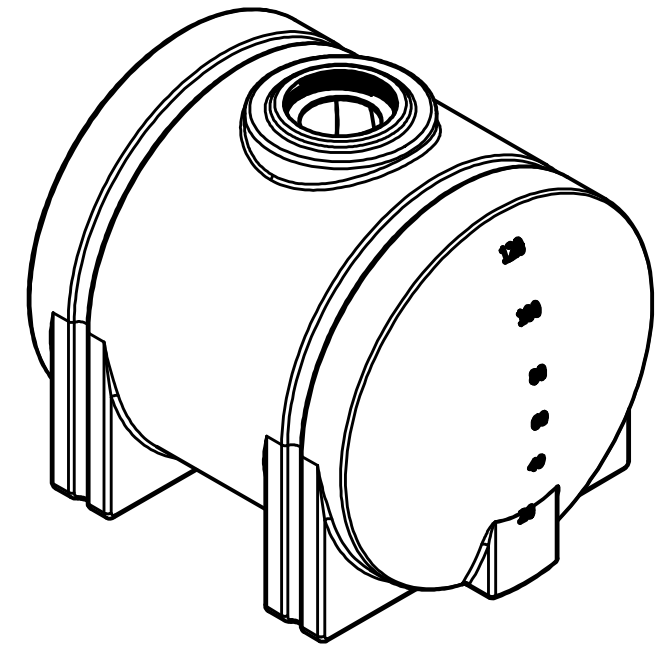
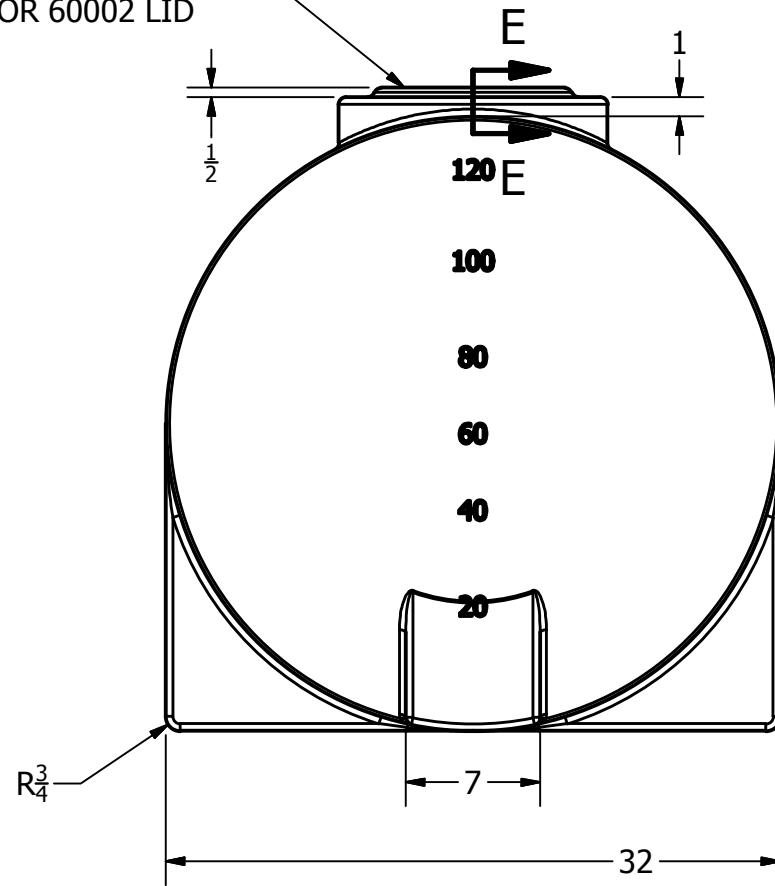

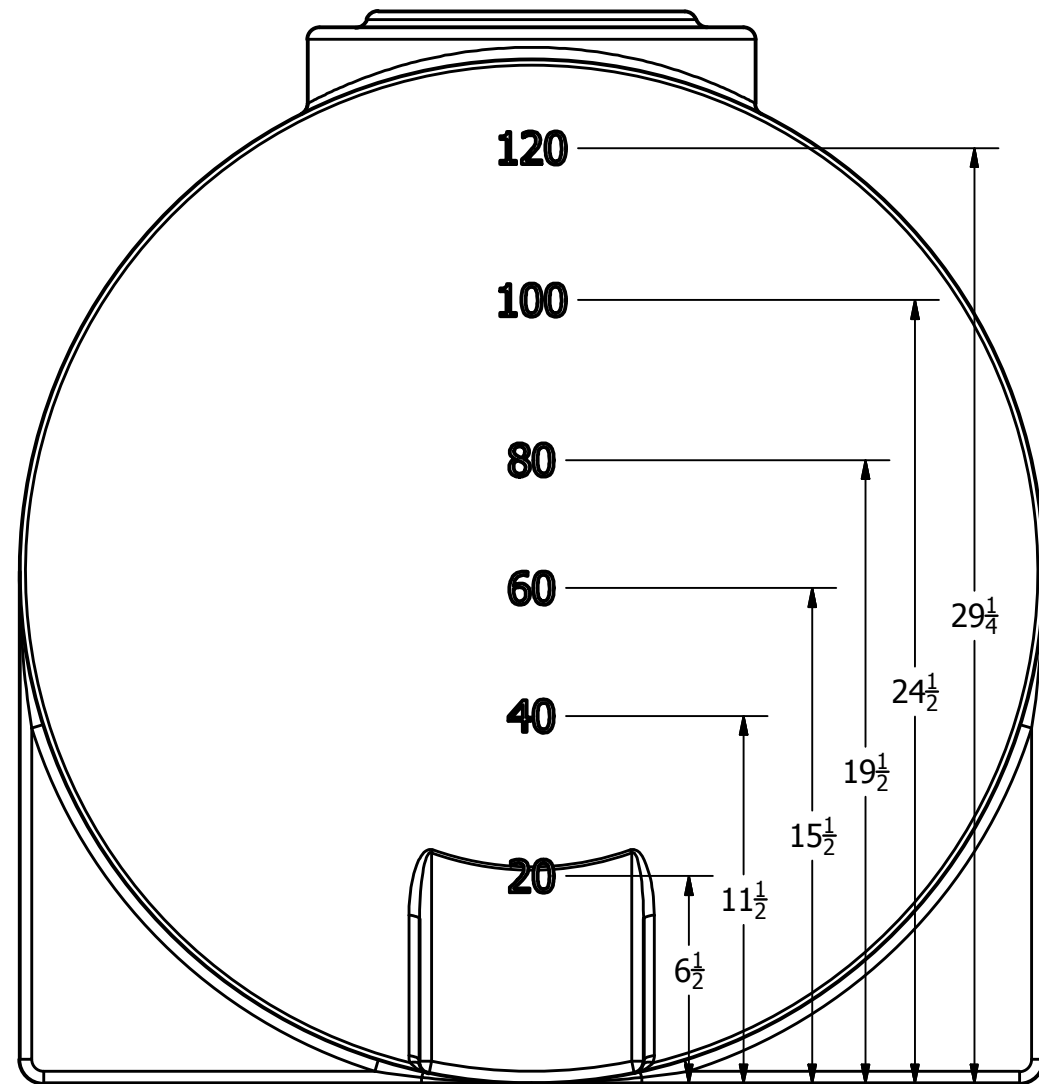


8 1/4 ACME THD, RH
 FOR 60002 LID




SECTION E-E
 SCALE 1:4

REVISION HISTORY			
REV	DESCRIPTION	DATE	AUTHOR
A	REDRAWN	8/14/1997	
B	REDRAWN	7/19/2013	Michael Holden
DRAWN Jerry Paulson		8/14/1997	 NORWESCO, INC. SAINT BONIFACIUS, MN TITLE 125 GALLON HORIZONTAL LEG TANK
CHECKED			
QA			
MFG			
APPROVED			
SIZE B		DWG NO	REV B
SCALE: 1/16		SHEET 1 OF 2	



GALLON MARKS ON BOTH ENDS

DRAWN Jerry Paulson	8/14/1997			
CHECKED		NORWESCO, INC. SAINT BONIFACIUS, MN		
QA		TITLE		
MFG		125 GALLON HORIZONTAL LEG TANK		
APPROVED				
		SIZE B	DWG NO	REV B
		SCALE: 1/16		SHEET 2 OF 2