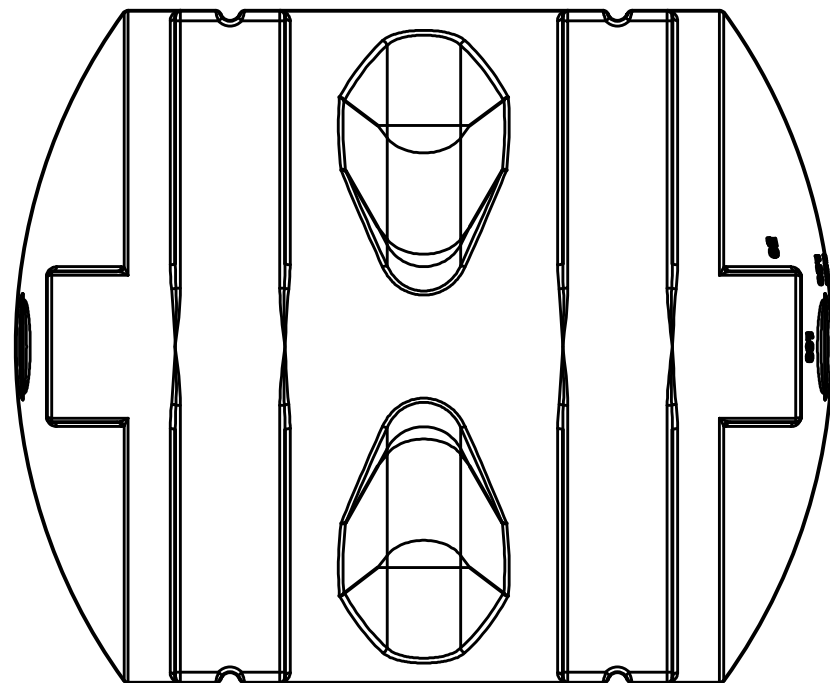

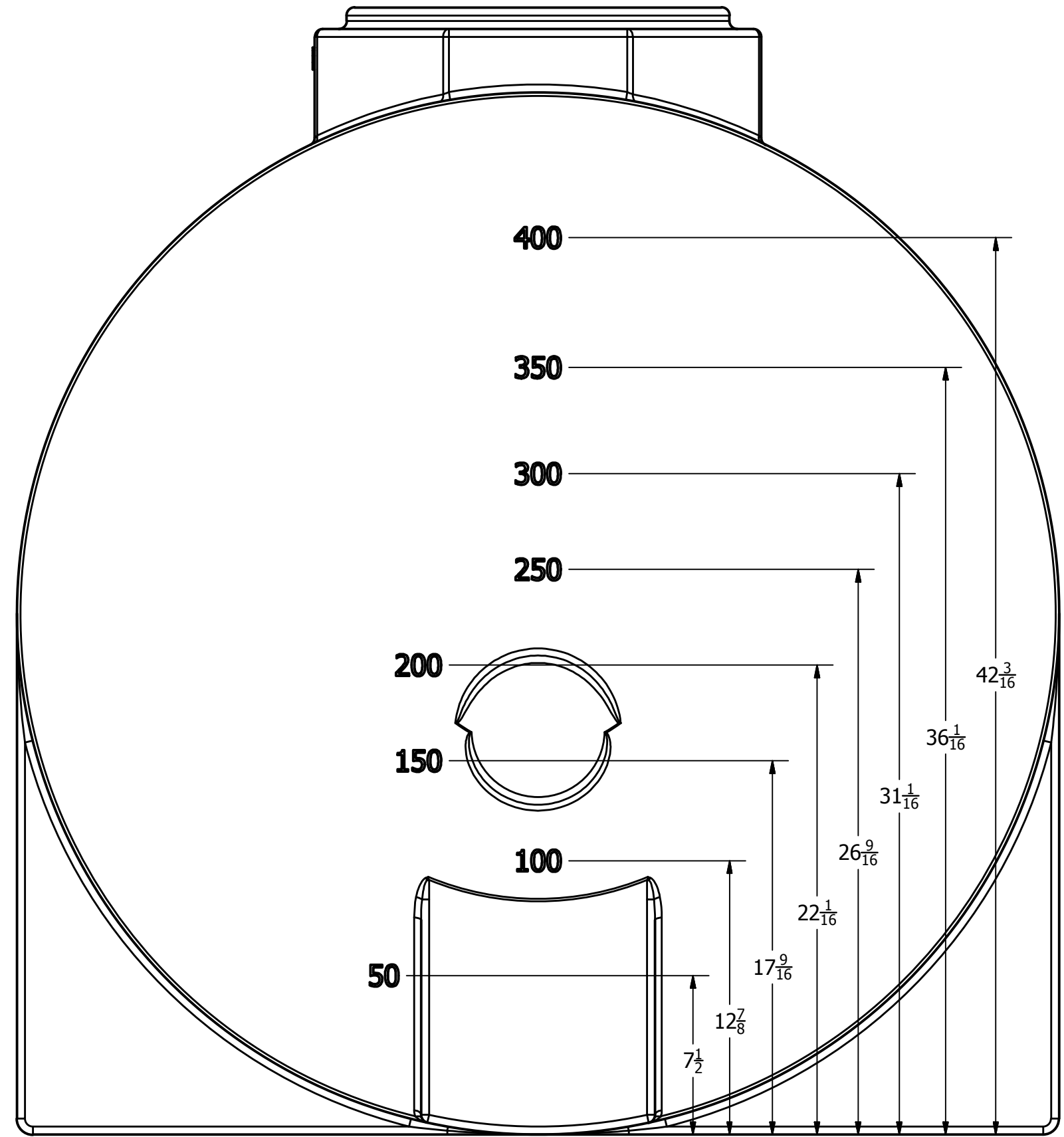



SECTION A-A  
SCALE 1:14



REVISION HISTORY			
REV	DESCRIPTION	DATE	AUTHOR
A	REDRAWN	7/17/2013	Michael Holden
DRAWN	Jerry Paulson	7/10/2001	 NORWESCO, INC. SAINT BONIFACIUS, MN TITLE 425 GALLON HORIZONTAL TANK
CHECKED			
QA			
MFG			
APPROVED			
SIZE	B	DWG NO	REV A
SCALE: 1/16		SHEET 1 OF 2	



DRAWN Jerry Paulson	7/10/2001			
CHECKED		NORWESCO, INC. SAINT BONIFACIUS, MN		
QA		TITLE		
MFG		425 GALLON HORIZONTAL TANK		
APPROVED				
		SIZE	DWG NO	REV
		<b>B</b>		<b>A</b>
		SCALE: 1/16	SHEET 2 OF 2	