
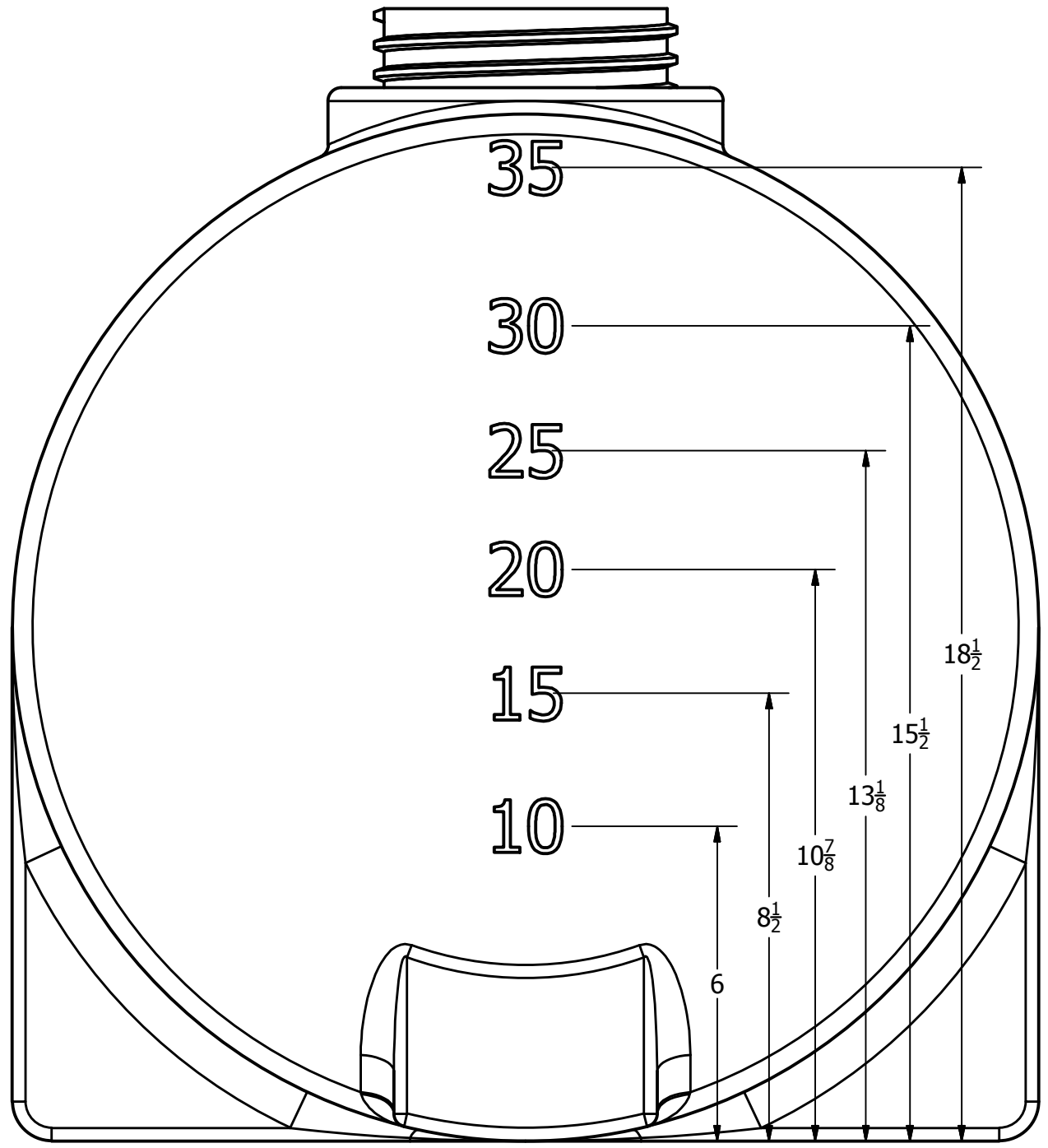



REVISION HISTORY				
REV	DESCRIPTION	DATE	AUTHOR	
A	REDRAWN	1/6/1997		
B	LID THREAD REVISED	2/9/2000		
C	REDRAWN	7/22/2013	Michael Holden	
DRAWN Jerry Paulson		1/6/1997	 NORWESCO, INC. SAINT BONIFACIUS, MN TITLE 35 GALLON HORIZONTAL TANK	
CHECKED				
QA				
MFG				
APPROVED				
		SIZE B	DWG NO	REV C
		SCALE: 1/16	SHEET 1 OF 2	



GALLON MARKS ON BOTH ENDS

DRAWN Jerry Paulson	1/6/1997			
CHECKED		NORWESCO, INC. SAINT BONIFACIUS, MN		
QA		TITLE		
MFG		35 GALLON HORIZONTAL TANK		
APPROVED				
		SIZE B	DWG NO	REV C
		SCALE: 1/16	SHEET 2 OF 2	