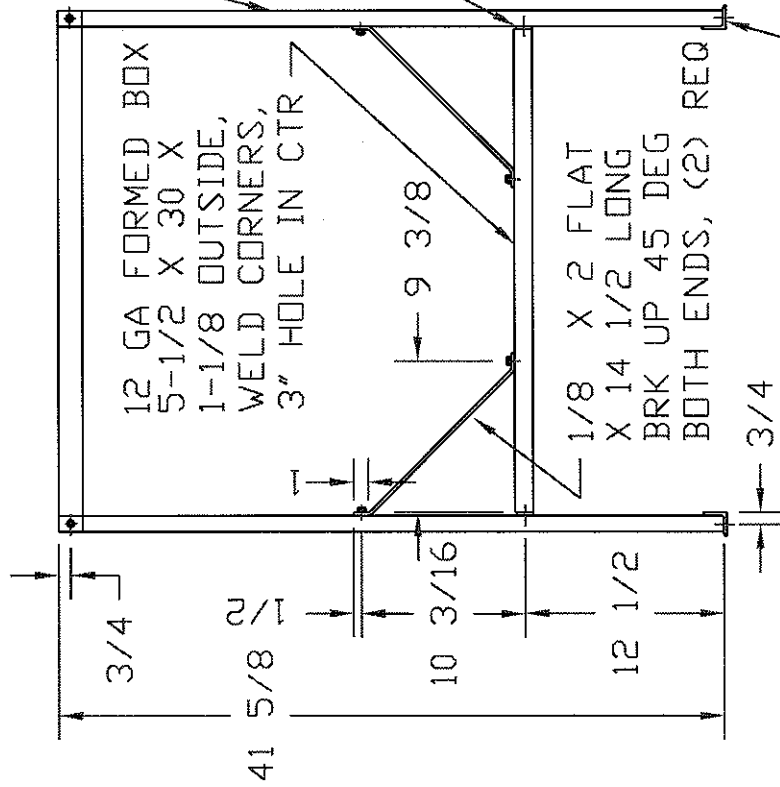


HARDWARE:

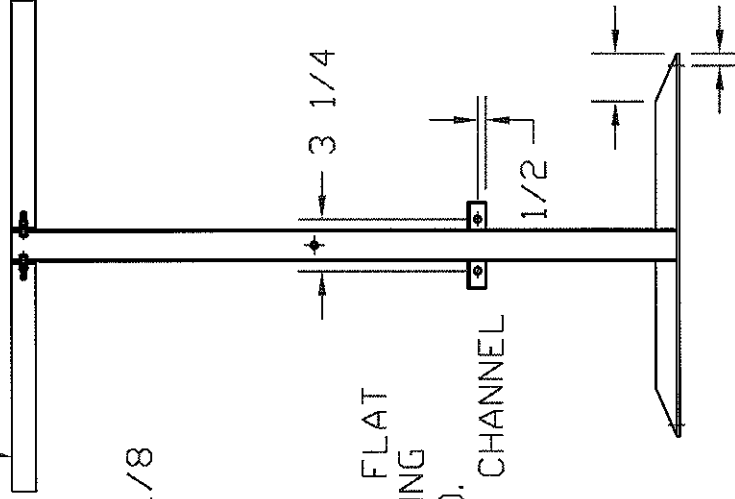
- (12) HEX HEAD CAP SCREWS, 5/16 X 1-1/4
- (12) 5/16 LOCK WASHERS
- (12) 5/16 HEX NUTS



1-1/2 X 1-1/2 X 3/16 ANGLE,
24 LONG, WELD TO CHANNELS
(2) REQ'D.

NOTE: ALL HOLES 3/8 DIA.
FINISH ALL STEEL PARTS WITH
BLACK ENAMEL

1-1/2 X 46 X 14 GA BANDS, (2) REQ'D
(48 BLANK LENGTH)



REVISIONS

ZONE	REV	DESCRIPTION	DATE	APPROVED
	A	WAS BLUE	27FEB02	

NORWESCO
ST. BONIFACIUS, MN

60 GALLON INDUCTOR
TANK STAND

JTP	29JUL96	SIZE A	FSCM NO.	DWG NO.	REV A
SCALE 1/12				SHEET	