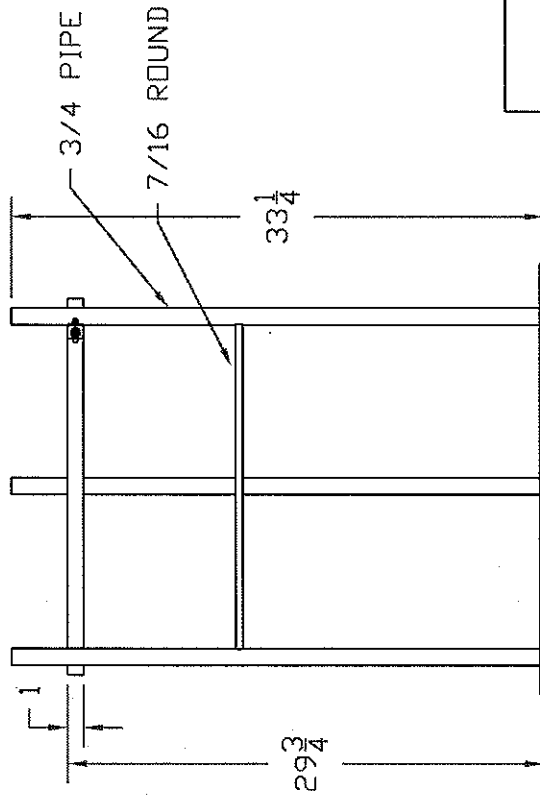
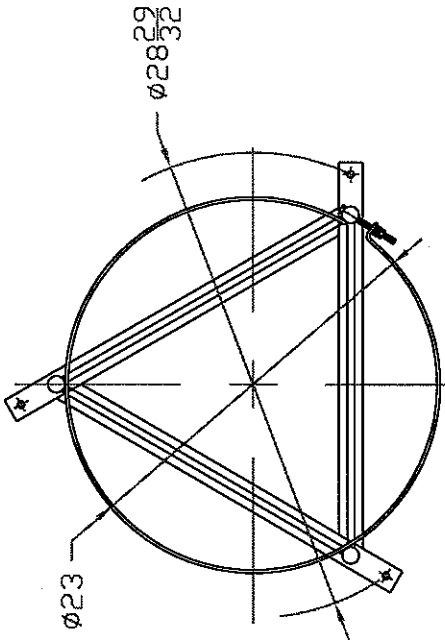


REVISIONS

ZONE	REV	DESCRIPTION	DATE	APPROVED
	D	REVISED & REDRAWN	21JUN04	



NORWESCO
ST. BONIFACIUS, MN

35 GALLON INDUCTOR
TANK STAND

SIZE FSCM NO. DWG NO.
A

JTP 21JUN04

REV D

SCALE 1/12 SHEET

FINISH: BLACK ENAMEL