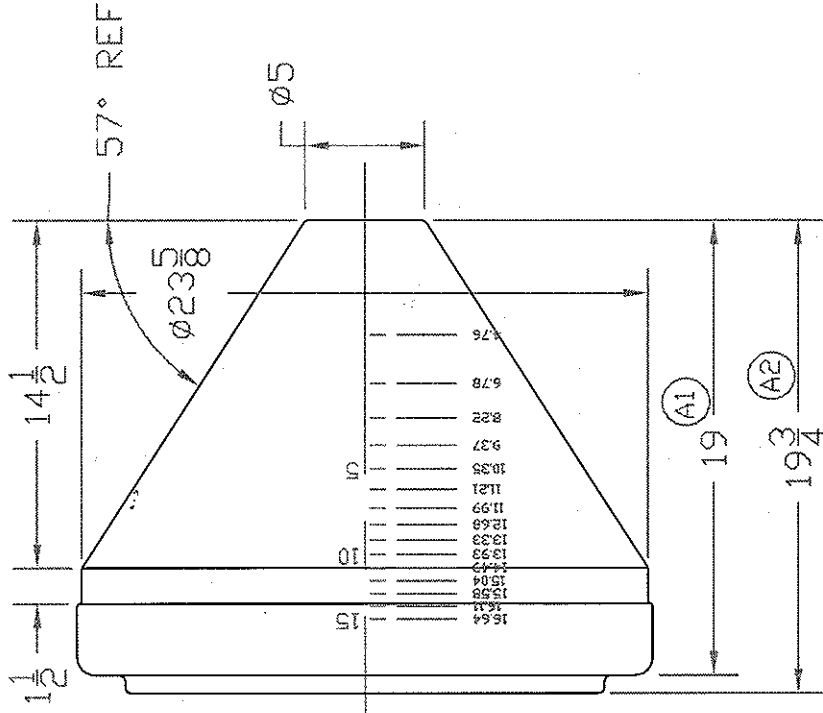
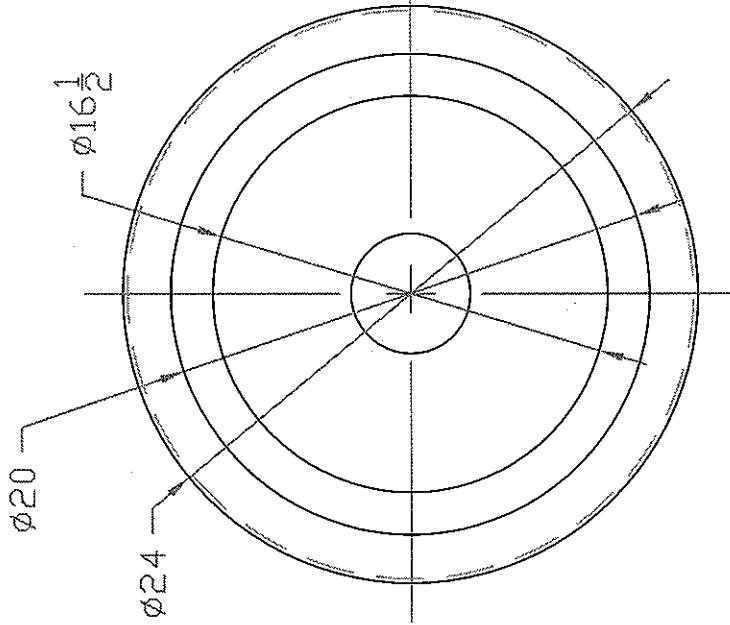


REVISIONS

ZONE	REV	DESCRIPTION	DATE	APPROVED
	A	WAS ① 18 @ 18 3/4	11NOV04	



NORWESCO
ST. BONIFACIUS, MN

15 GALLON INDUCTOR
TANK x 24 DIA

JTP	21MAY04	SIZE	FSCM NO.	DWG NO.	REV
		A			A
SCALE 1/8				SHEET	