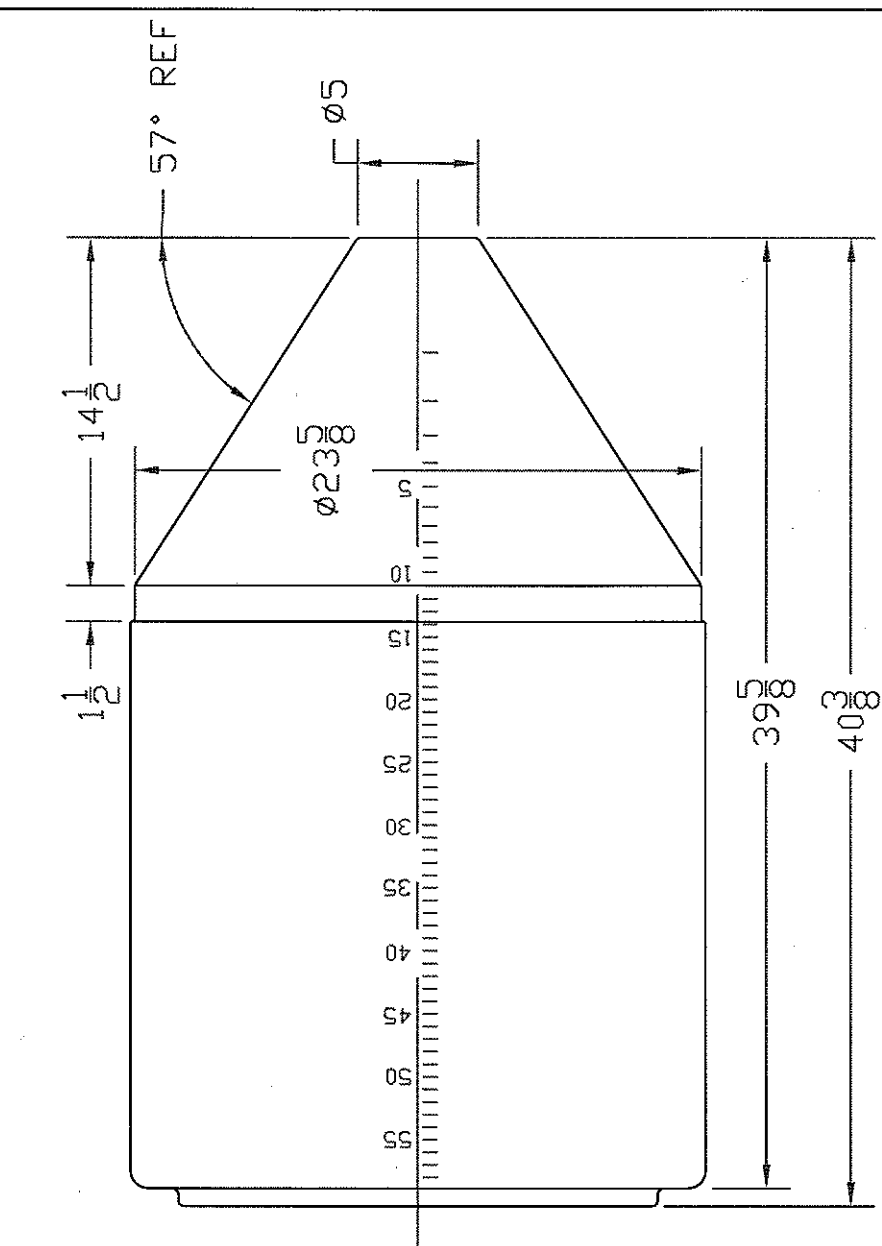


REVISIONS			
ZONE	REV	DESCRIPTION	DATE



NORWESCO		ST. BONIFACIUS, MN	
60 GALLON INDUCTOR		TANK X 24 DIA	
SIZE	FSCM NO.	DWG NO.	REV
JTP	02APR04	A	
SCALE 1/8		SHEET	