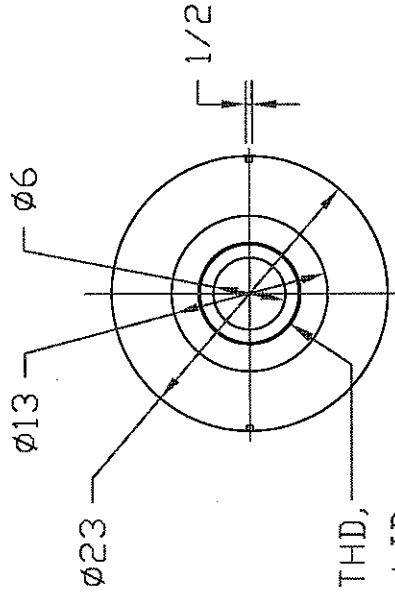


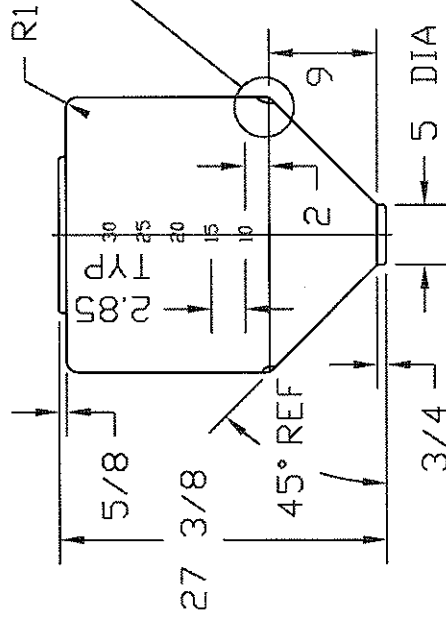
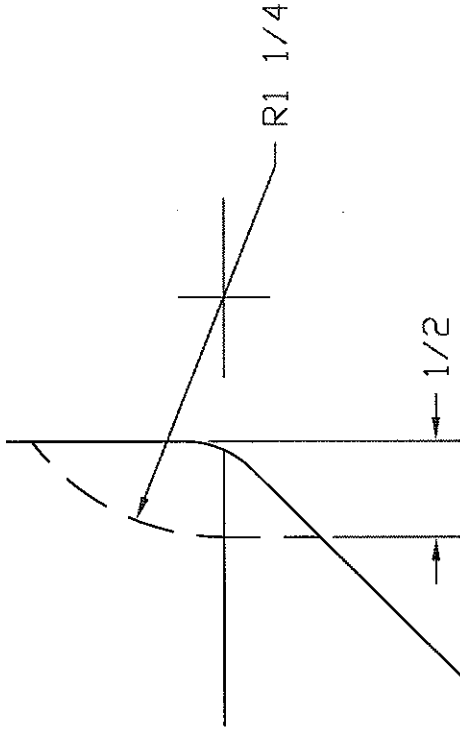
REVISIONS

ZONE	REV	DESCRIPTION	DATE	APPROVED
	A	REDRAWN	18AUG97	



8 1/4 ACME THD,
RH, FOR 60002 LID

NOTCH DETAIL
FULL SCALE



NORWESCO
ST. BONIFACIUS, MN

35 GALLON INDUCTOR TANK

JTP 18AUG97

SIZE A FSCM NO. DWG NO.

SCALE 1/16

SHEET

REV A