

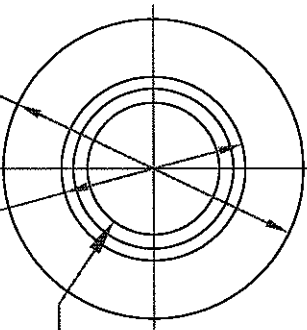
REVISIONS

ZONE	REV	DESCRIPTION	DATE	APPROVED
	B	REDRAWN	18AUG97	

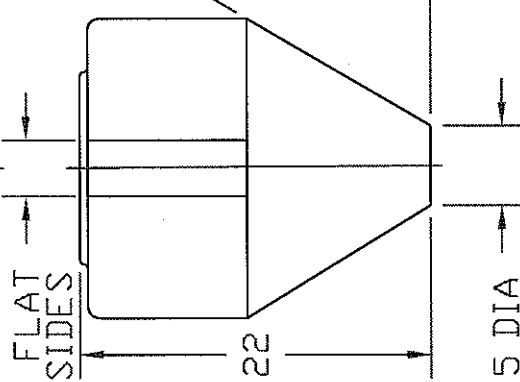
Ø11 1/2

Ø18 3/4

8 1/4 ACME THD,
RH, FOR 60002 LID



3 1/2 FLAT
BOTH
SIDES

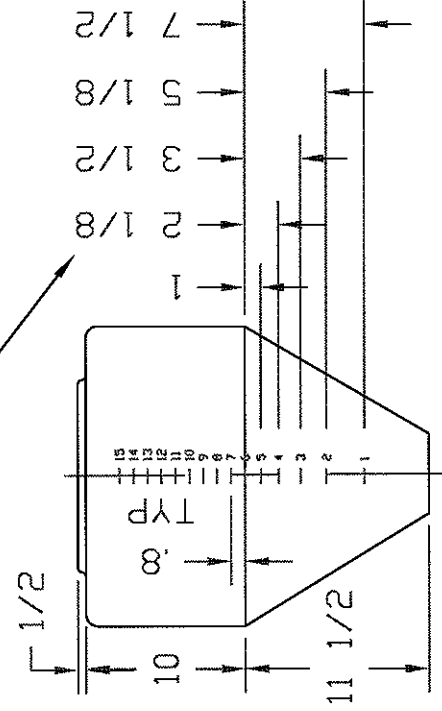


60°
REF

22

5 DIA

NOTE: THESE DIMENSIONS ARE MEASURED
ALONG THE SURFACE.
GALLON MARKS ON ONE SIDE ONLY.



1/2

.8

TYP

1

2 1/8

3 1/2

5 1/8

7 1/2

JTP 18AUG97

SIZE FSCM NO.
A

DWG NO.

REV B

NORWESCO
ST. BONIFACIUS, MN

15 GALLON INDUCTOR TANK

SCALE 1/12

SHEET