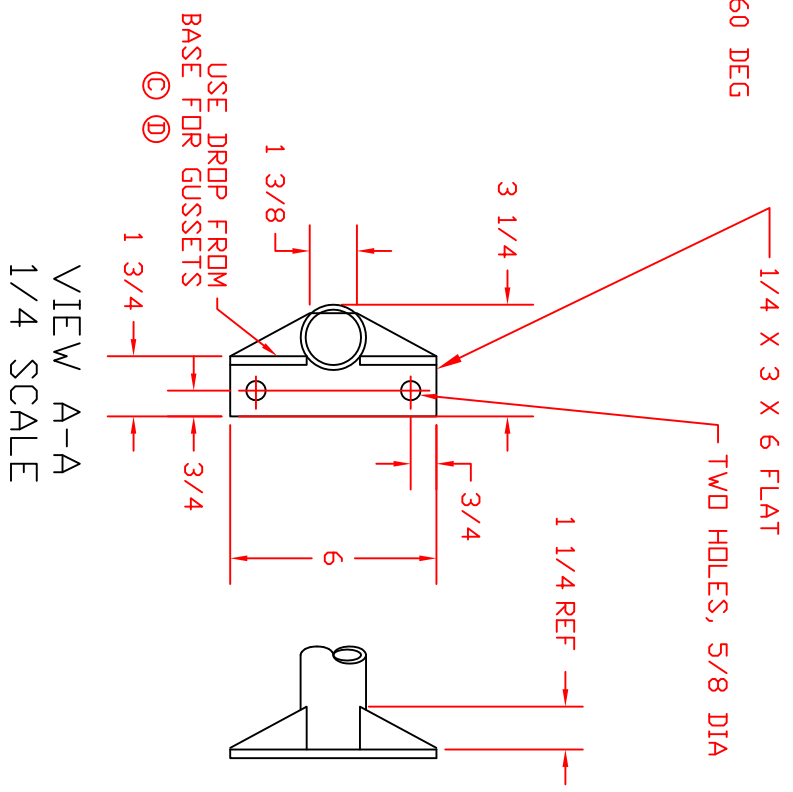
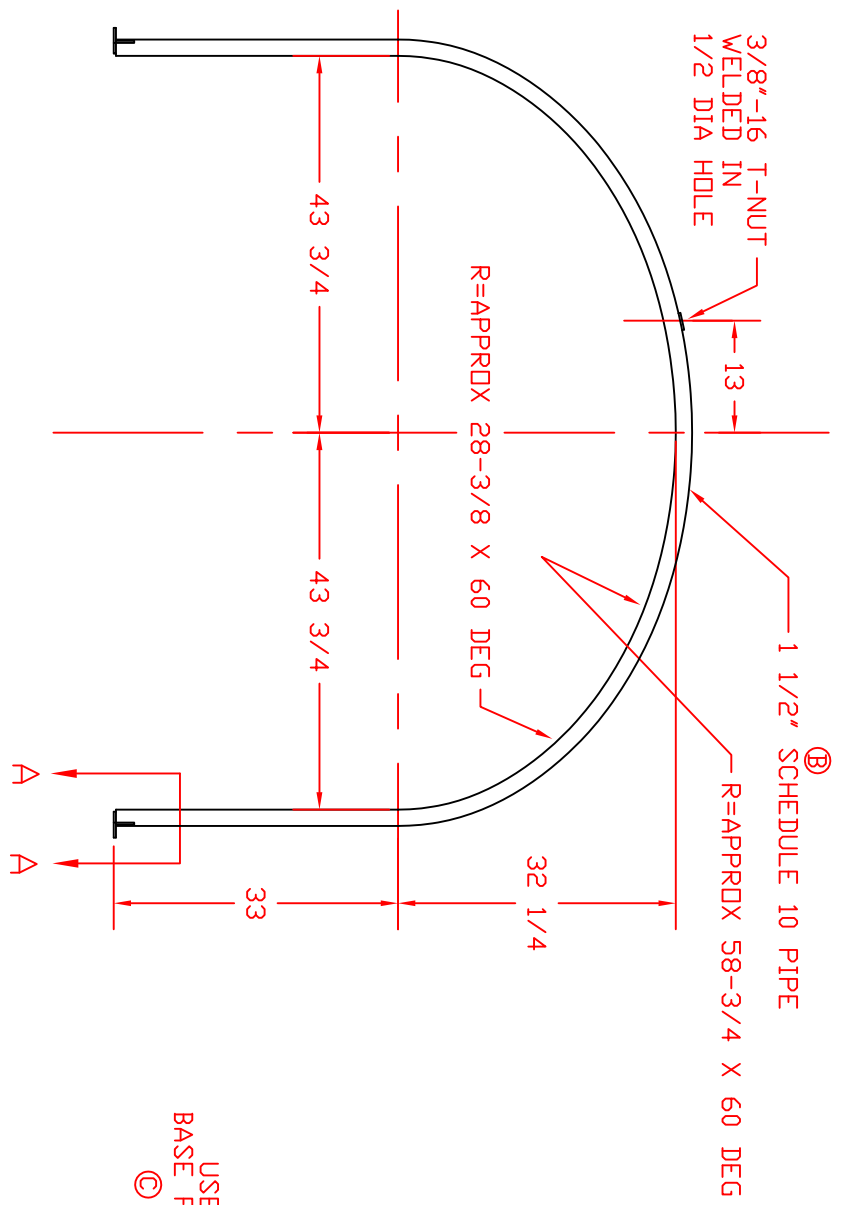


REVISIONS				
ZONE	REV	DESCRIPTION	DATE	APPROVED
	A	REVISED & REDRAWN	4MAY95	
	B	WAS 2" PIPE	21JUL97	
	C	GUSSETS ADDED	29JAN98	
	D	GUSSETS REVISED	19OCT98	



FINISH: HOT-DIPPED GALVANIZED

		ST. BONIFACIUS, MN	
		BAND, 2635 ELLIPTICAL TANK	
JTP	4MAY95	SIZE	SCALE 1/16
		FORM NO.	
		DWG NO.	60353
		SHEET	
		REV	D