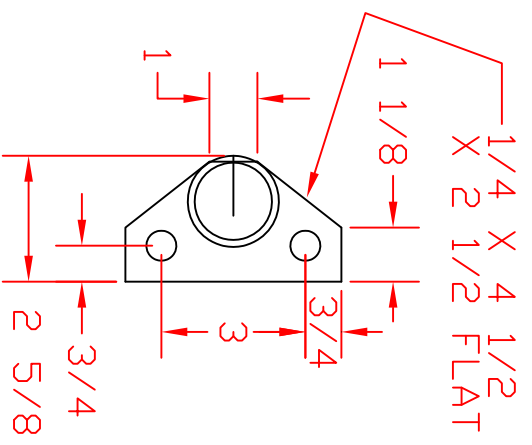
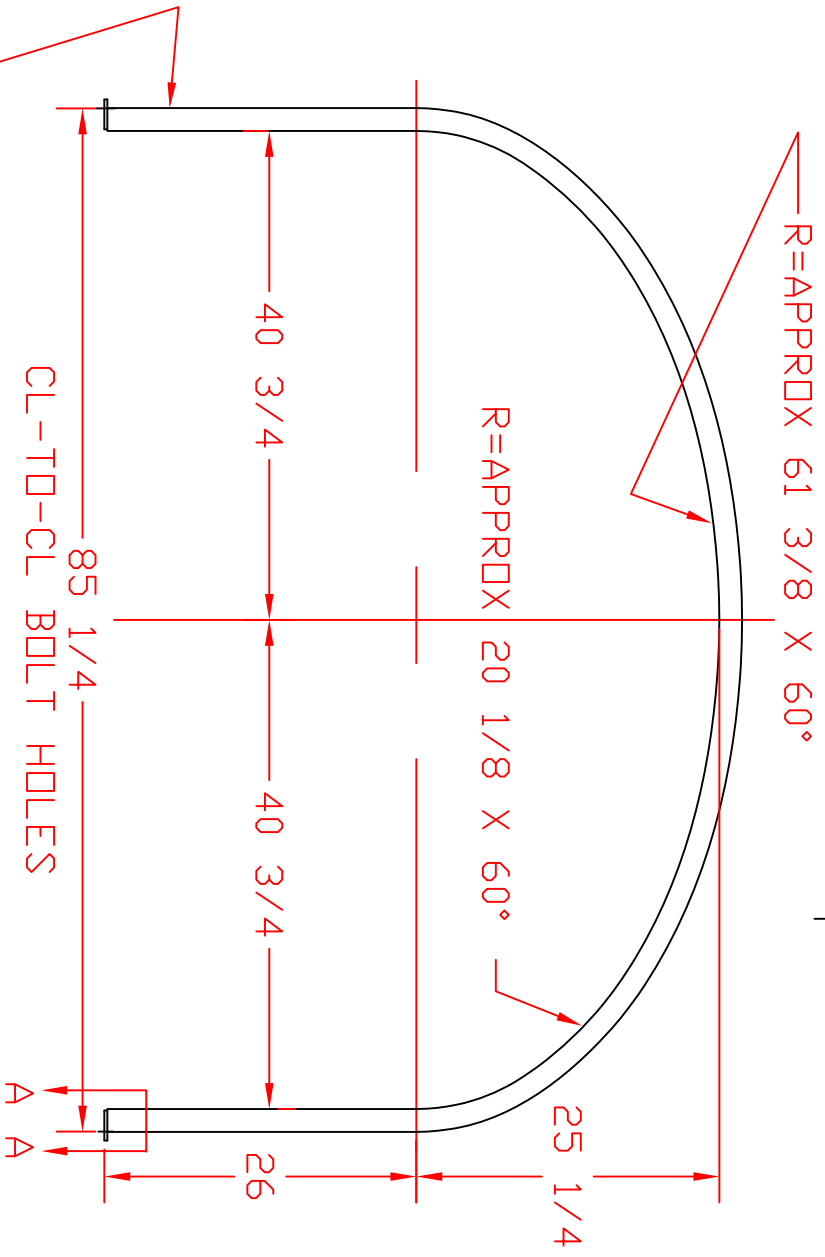


REVISIONS				
ZONE	REV	DESCRIPTION	DATE	APPROVED
	A	NOTE ADDED	16 DEC 10	



VIEW A-A
1/4 SCALE

FDB: ST BONIFACIUS MN
 SHAWNEE, OK
 FAIRFIELD, TX

JTP 22APR94		SCALE 1/16		SHEET	
SIZE FSCM NO.		DWG NO.		REV	
A		62079		A	
ST. BONIFACIUS, MN					
BAND, 2035 ELLIPTICAL					
LEG TANK (MIDWEST)					