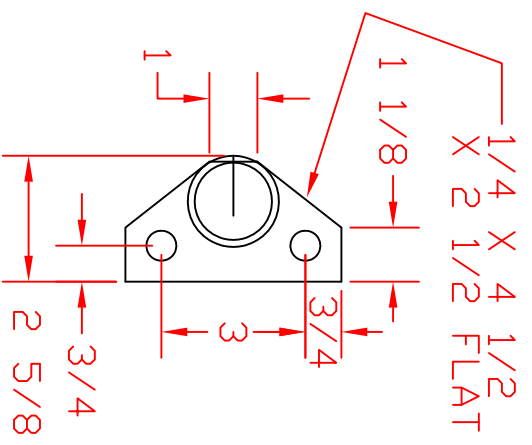
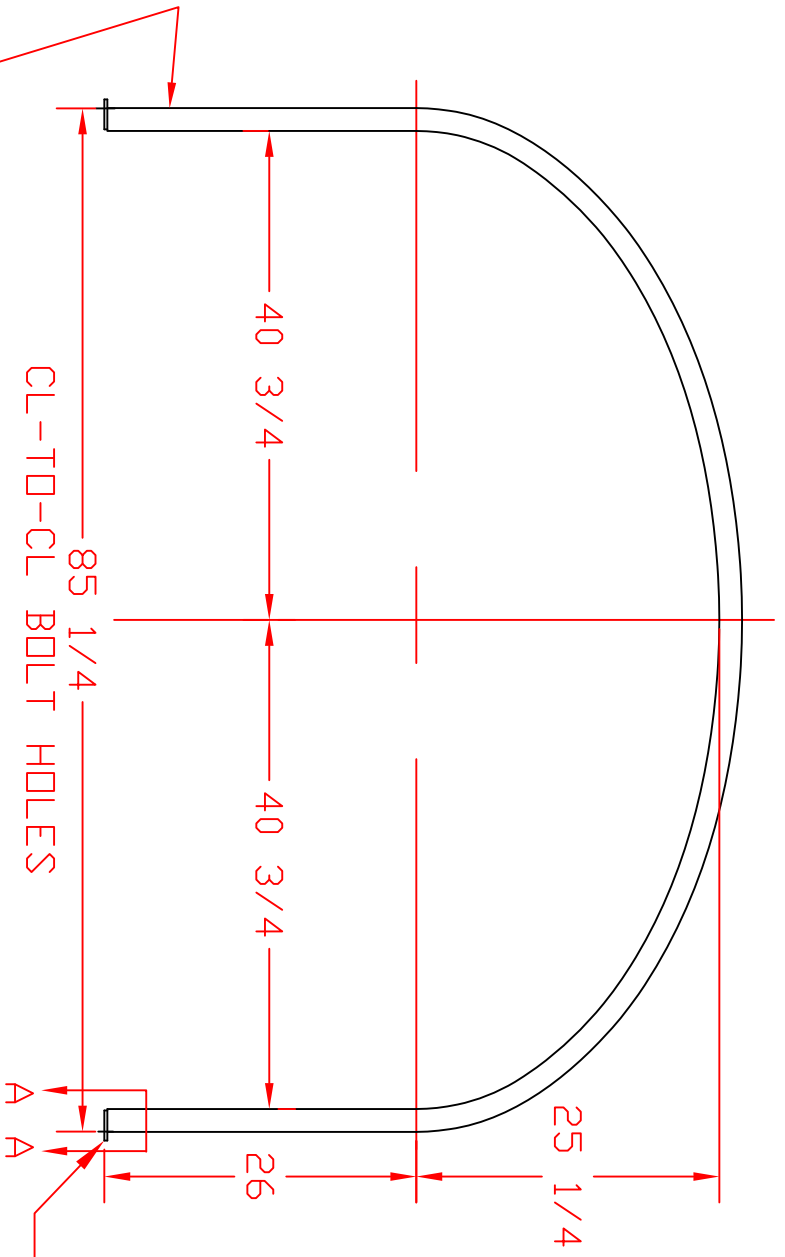


REVISIONS				
ZONE	REV	DESCRIPTION	DATE	APPROVED



CL-TO-CL BOLT HOLES

1 1/2" BLACK PIPE

NOTE: PAINT FOOT GOLD

FDB: LANCASTER, OH  
 GRIFFIN, GA  
 TODELE, UT  
 HANFORD, CA

		ST. BONIFACIUS, MN BAND, 2035 ELLIPTICAL LEG TANK (EAST/WEST)			
JTP	17DEC10	SIZE	FSCM NO.	DWG NO.	REV
A		A		63840	
SCALE 1/16		SHEET			