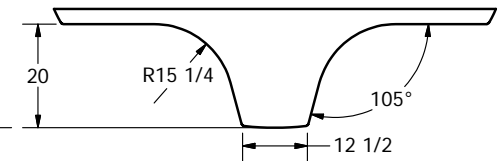
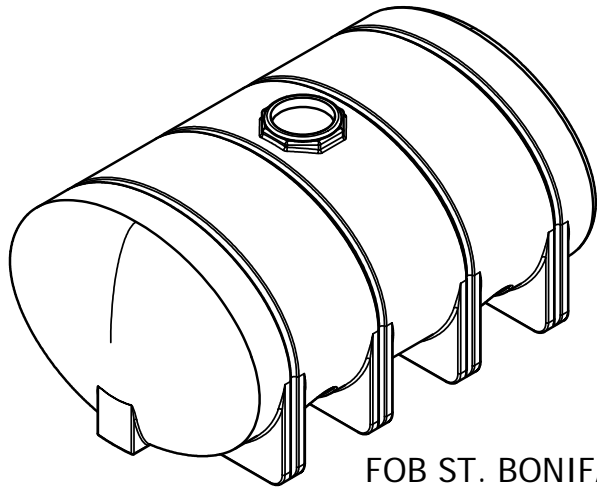



SECTION A-A  
SCALE 1 / 24



SECTION B-B  
SCALE 1 / 24



FOB ST. BONIFACIUS, MN & FARIFIELD, TX

|                           |            |   |              |          |
|---------------------------|------------|---|--------------|----------|
| DRAWN<br>Jerry Paulson    | 10/12/2007 | <br>NORWESCO, INC., ST. BONIFACIUS, MN |              |          |
| CHECKED                   |            | TITLE   |              |          |
| QA                        |            | 2635 GALLON ELLIPTICAL TANK   |              |          |
| MFG                       |            |   |              |          |
| APPROVED<br>Jerry Paulson |            | SIZE<br>B   | DWG NO       | REV<br>A |
|                           |            | SCALE: 1/24   | SHEET 1 OF 1 |          |