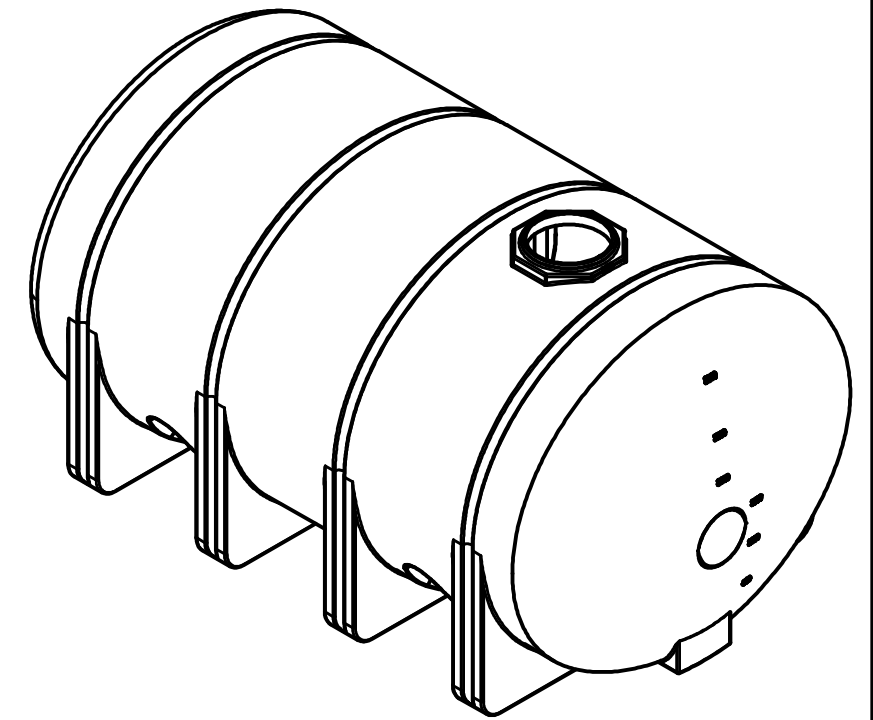


SECTION A-A
SCALE 1:8



FOB TOOELE, UT

REVISION HISTORY			
REV	DESCRIPTION	DATE	AUTHOR
A	SPARGER FLAT REVISED	6/4/2004	
B	WAS 1) 2) 12 3) 137 1/2	11/21/2007	
C	REDRAWN	8/6/2013	Michael Holden

DRAWN
Jerry Paulson
6/29/1995

CHECKED

QA

MFG

APPROVED



3135 GALLON ELLIPTICAL LEG TANK

SIZE B DWG NO REV C

SCALE: 1/16 SHEET 1 OF 2