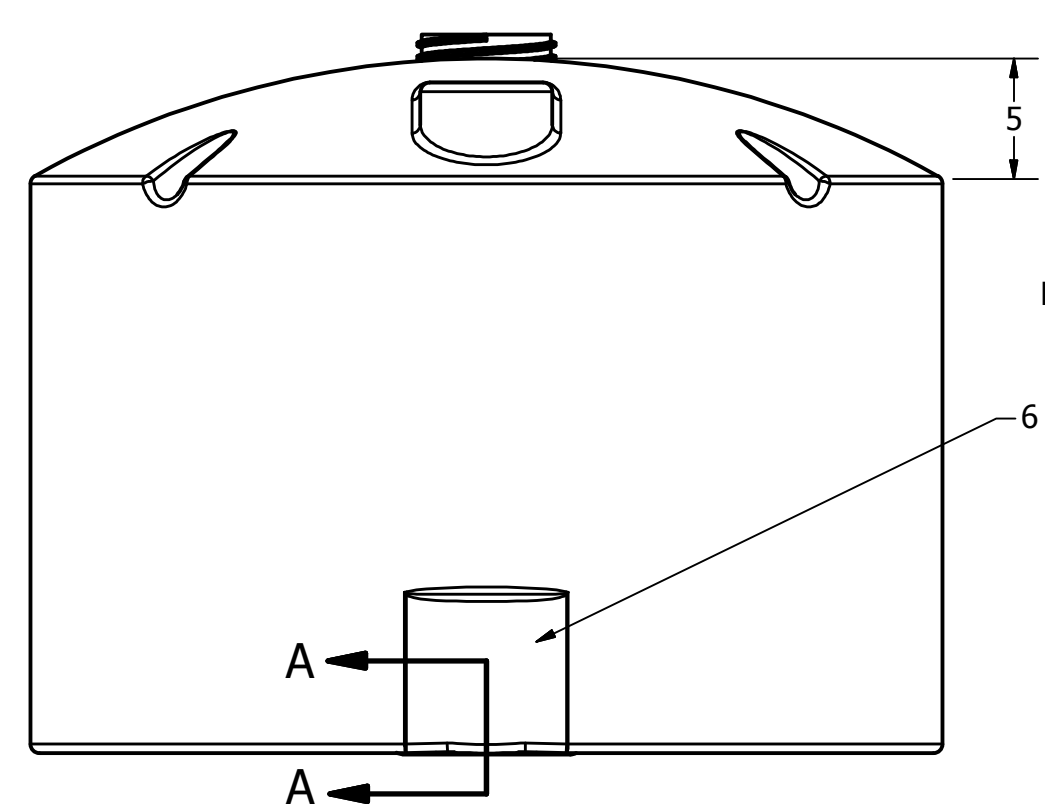
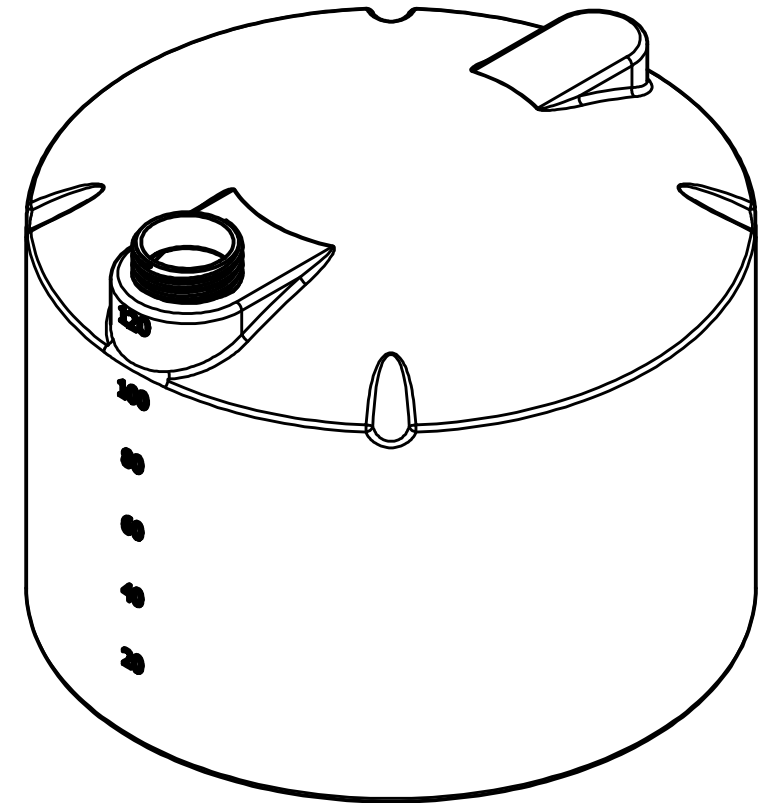
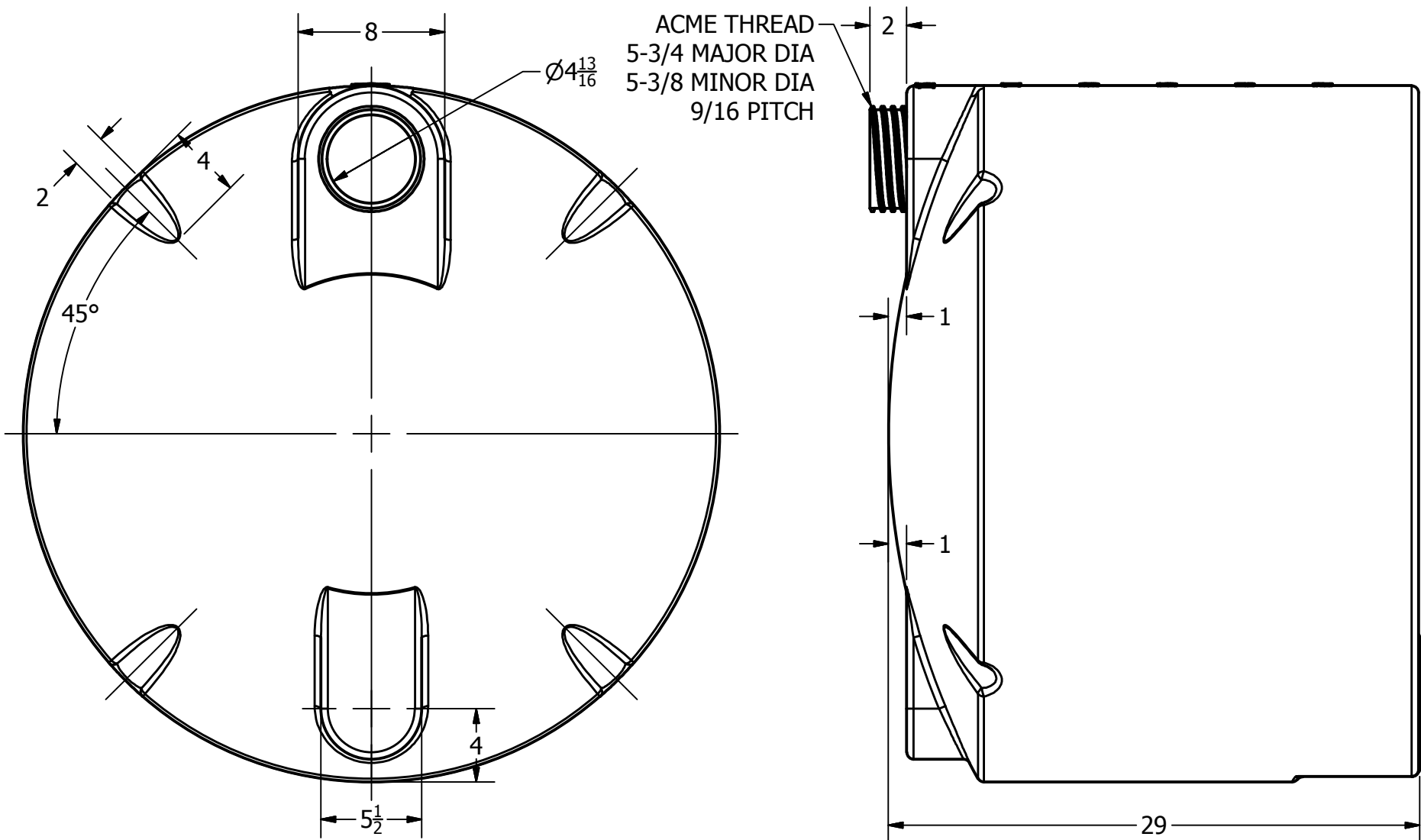


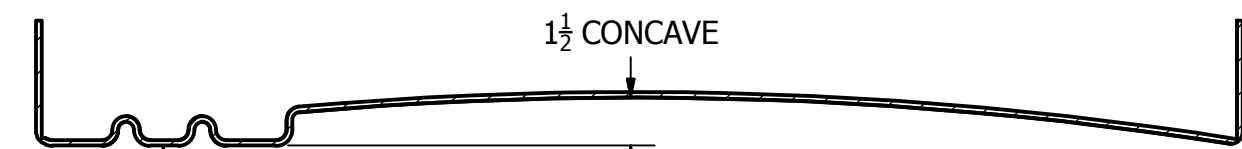
REVISION HISTORY

REV	DESCRIPTION	DATE	AUTHOR
B	REDRAWN	1/13/1997	
C	LID THREAD REVISED	2/9/2000	
D	WAS MINI BULK TANK	8/15/2011	
E	REDRAWN	7/16/2013	Michael Holden





SUMP WITH 4-SEGMENT LOCATOR FOR STANDPIPE

6 3/4 X 6 3/4 FLAT



SECTION A-A
SCALE 1 : 6

DRAWN Jerry Paulson	1/13/1997	 NORWESCO, INC. SAINT BONIFACIUS, MN TITLE		
CHECKED				
QA		120 GALLON VERTICAL TANK 		
MFG				
APPROVED		SIZE B	DWG NO	REV E
		SCALE: 1/16	SHEET 1 OF 2	