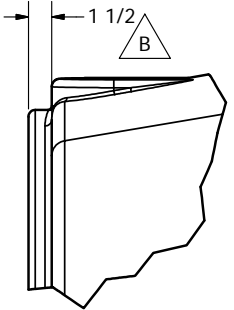
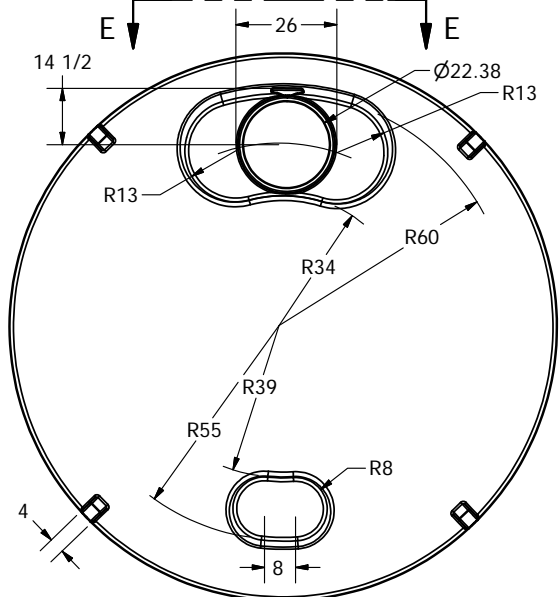
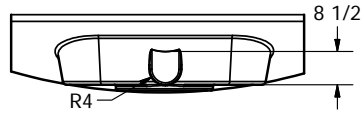
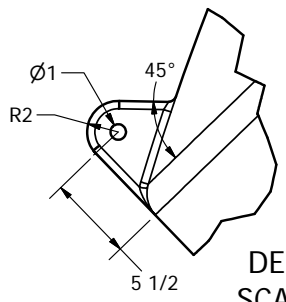
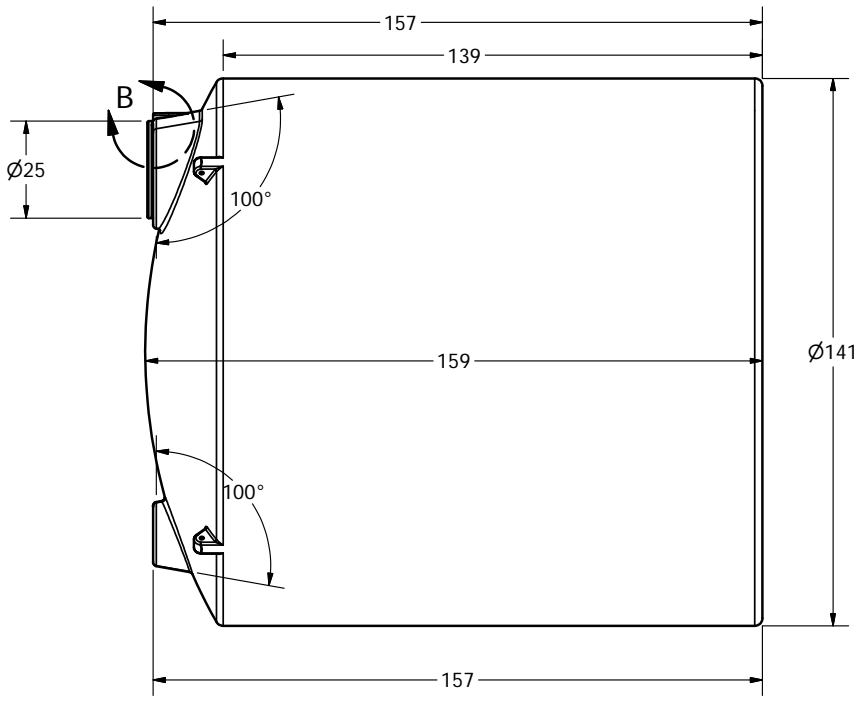


VIEW E-E
SCALE 1/32

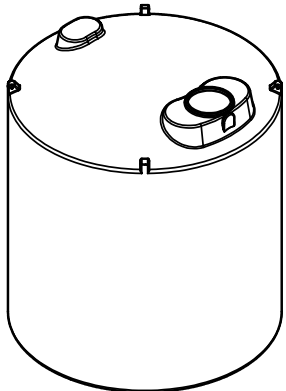


DETAIL B
SCALE 1 / 8

REVISION HISTORY			
REV	AUTHOR	DESCRIPTION	DATE
A	Jerry Paulson	Removed Washington Court House	01/28/2010
B	Jerry Paulson	Added Fitting Flat at Manway	01MAR2012
C	Jerry Paulson	REVISED LID TO 22", P/N was 40545	18APR2013



DETAIL A
SCALE 1 / 8



FOB FAIRFIELD, TX



DRAWN	Jerry Paulson	10/3/2006
CHECKED		
QA		
MFG		
APPROVED		

NORWESCO
NORWESCO, INC., ST. BONIFACIUS, MN

TITLE
10,000 GALLON VERTICAL INDUSTRIAL TANK

SIZE	DWG NO	REV
B		C

SCALE: 1/32 SHEET 1 OF 1